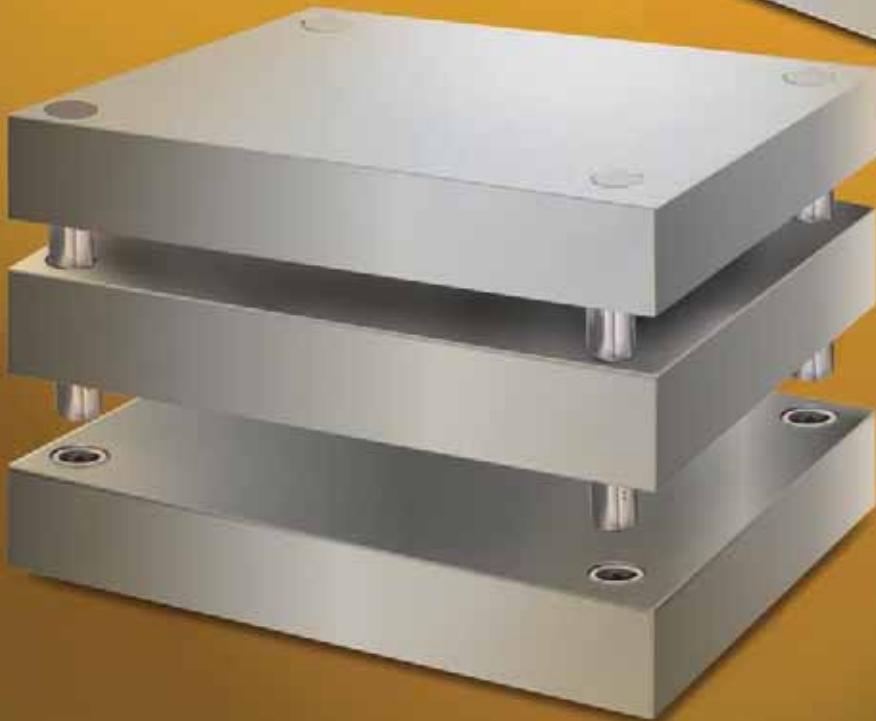


D-M-E Cavity Retainer Sets

**Cavity retainer sets
that match your
application requirements**



Steel Information

Two- and Three-Plate Cavity Retainer Sets offer accurate alignment and complete interchangeability

D-M-E Standard Cavity Retainer Sets are available in 49 standard sizes from 6" × 10 $\frac{7}{8}$ " to 23 $\frac{3}{4}$ " × 35 $\frac{1}{2}$ ". Each size is offered in various cavity plate thickness combinations in your choice of D-M-E No. 1, No. 2, No. 3 or No. 7 Steel (No. 7 available up to 2 $\frac{7}{8}$ " thick standard). D-M-E's precision-built interchangeable construction makes possible the wide variety of two-plate combinations as well as the three-plate construction.



D-M-E No. 1 Steel

D-M-E No. 1 Steel is a medium carbon (SAE 1030), silicon-killed forging quality steel with approximately 25% greater tensile strength than typical low-carbon warehouse steels. It machines easily, but is not "sticky," permitting a faster and smoother cut.

D-M-E No. 2 Steel

D-M-E No. 2 Steel is an AISI 4130 type steel. It is supplied pre-heat treated to 271-321 Bhn (28-34 HRC). A high strength steel, it is ideal for cavity and core retainer plates, clamping plates and support plates in molds and dies.

D-M-E No. 3 Steel

D-M-E No. 3 Steel is a P-20 AISI 4130 (modified) type cavity steel. Exceptionally clean, it is pre-heat treated to 271-321 Bhn (28-34 HRC). It provides high hardness, good machinability and exceptional polishability.

D-M-E No. 7 Steel

No. 7 Steel is a modified AISI 400 series stainless steel for holder block applications. It is supplied pre-hardened to 32-36 HRC (302-340 Bhn). This stainless steel offers corrosion resistance and exceptional machinability but cannot be further hardened (see D-M-E No. 6). For humid environments, corrosive plastics, "clean room" or "100% stainless" applications, it is an ideal choice for all structural (non-cavity/core) mold plates.

Three-Plate Cavity Retainer Sets

Cavity Retainer Sets – 6" x 10⁷/₈"

Three-Plate Cavity Retainer Sets

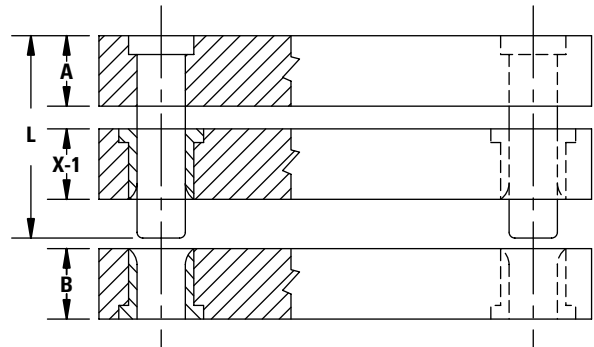
When "Three-plate" Cavity Sets are ordered the following information should be specified:

- Width and length of Cavity Set, thicknesses of "A", "X-1" and "B" plates, length of leader pins and type of steel required.

To determine the price:

- Take the price of the same size Standard Cavity Retainer Set having identical "A" and "B" Plate Thicknesses... PLUS...
½ the price of a Cavity Set with "A" and "B" plates each the same thickness as the "X-1" Plate.

For quotations on assemblies with more than one floating plate, contact D-M-E.

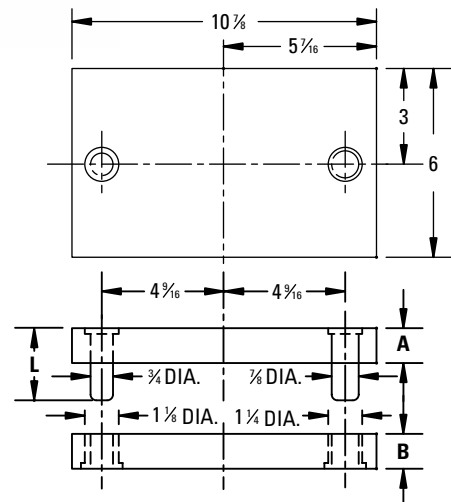


Cavity Retainer Sets – 6" x 10⁷/₈"

A	B	6" (W) x 10 ⁷ / ₈ " (L)	
		ITEM NUMBER	NET WT.
7 ⁷ / ₈	7 ⁷ / ₈	611-7-7	33
	1 ³ / ₈	611-7-13	42
	1 ⁷ / ₈	611-7-17	51
	2 ³ / ₈	611-7-23	61
	2 ⁷ / ₈	611-7-27	70
1 ³ / ₈	3 ³ / ₈	611-7-33	79
	7 ⁷ / ₈	611-13-7	42
	1 ³ / ₈	611-13-13	51
	1 ⁷ / ₈	611-13-17	61
	2 ³ / ₈	611-13-23	70
1 ⁷ / ₈	2 ⁷ / ₈	611-13-27	79
	3 ³ / ₈	611-13-33	88
	7 ⁷ / ₈	611-17-7	51
	1 ³ / ₈	611-17-13	61
	1 ⁷ / ₈	611-17-17	70
1 ⁷ / ₈	2 ³ / ₈	611-17-23	79
	2 ⁷ / ₈	611-17-27	88
	3 ³ / ₈	611-17-33	98



This 6" x 10⁷/₈" Cavity Set is designed for use in the Stokes Model 800 Compression Press.



WHEN ORDERING, PLEASE SPECIFY:

- Quantity & Item Number
- No. 1, No. 2, No. 3 or No. 7 Steel
(No. 7 Steel available standard only for plates up to and including 2⁷/₈ thick)
- L Dimension (Guide Pin Length)
- Method of Shipment

Cavity Retainer Sets

8¹⁵/₁₆ or 9" × 11⁷/₈, 9⁷/₈ × 7⁷/₈

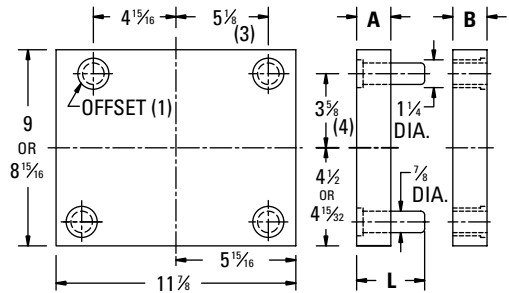


Cavity Retainer Sets | Cavity Retainer Sets 8¹⁵/₁₆ or 9" × 11⁷/₈, 9⁷/₈ × 7⁷/₈

A	B	8 ¹⁵ / ₁₆ OR 9" × 11 ⁷ / ₈		
		ITEM NUMBER 8 ¹⁵ / ₁₆	ITEM NUMBER 9"	NET WT.
7/8	7/8	912-7-7V	912-7-7M	53
	1 3/8	912-7-13V	912-7-13M	69
	1 7/8	912-7-17V	912-7-17M	84
	2 3/8	912-7-23V	912-7-23M	99
	2 7/8	—	912-7-27M	114
	3 3/8	—	912-7-33M	129
1 3/8	7/8	912-13-7V	912-13-7M	69
	1 3/8	912-13-13V	912-13-13M	84
	1 7/8	912-13-17V	912-13-17M	99
	2 3/8	—	912-13-23M	114
	2 7/8	—	912-13-27M	129
	3 3/8	—	912-13-33M	144
1 7/8	7/8	912-17-7V	912-17-7M	84
	1 3/8	912-17-13V	912-17-13M	99
	1 7/8	—	912-17-17M	114
	2 3/8	—	912-17-23M	129
	2 7/8	—	912-17-27M	144
	3 3/8	—	912-17-33M	159

A	B	9" × 11 ⁷ / ₈	
		ITEM NUMBER	NET WT.
2 3/8	7/8	912-23-7M	99
	1 3/8	912-23-13M	114
	1 7/8	912-23-17M	129
	2 3/8	912-23-23M	144
	2 7/8	912-23-27M	159
	3 3/8	912-23-33M	175
2 7/8	7/8	912-27-7M	114
	1 3/8	912-27-13M	129
	1 7/8	912-27-17M	144
	2 3/8	912-27-23M	159
	2 7/8	912-27-27M	175
	3 3/8	912-27-33M	190
3 3/8	7/8	912-33-7M	129
	1 3/8	912-33-13M	144
	1 7/8	912-33-17M	159
	2 3/8	912-33-23M	175
	2 7/8	912-33-27M	190
	3 3/8	912-33-33M	205

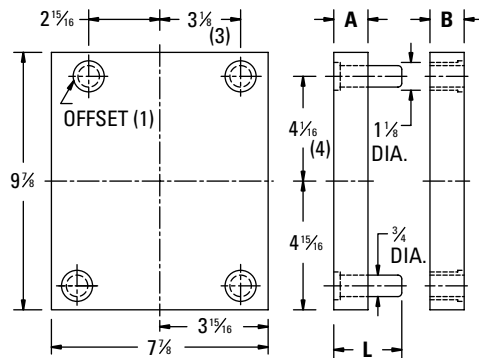
8¹⁵/₁₆ or 9" × 11⁷/₈



These 8¹⁵/₁₆ or 9" × 11⁷/₈ cavity retainer sets are designed for use with 912V and 912M Mold Bases.

A	B	9 ⁷ / ₈ × 7 ⁷ / ₈	
		ITEM NUMBER	NET WT.
7/8	7/8	108R-7-7	39
	1 3/8	108R-7-13	50
	1 7/8	108R-7-17	61
	2 3/8	108R-7-23	72
1 3/8	7/8	108R-13-7	50
	1 3/8	108R-13-13	61
	1 7/8	108R-13-17	72
1 7/8	7/8	108R-17-7	61
	1 3/8	108R-17-13	72

9⁷/₈ × 7⁷/₈



These 9⁷/₈ × 7⁷/₈ cavity retainer sets are designed for use with 108R Mold bases.

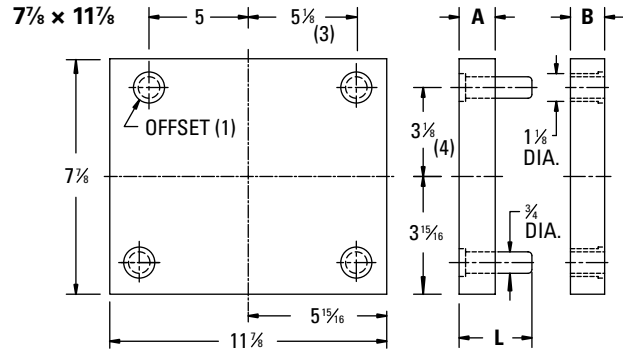
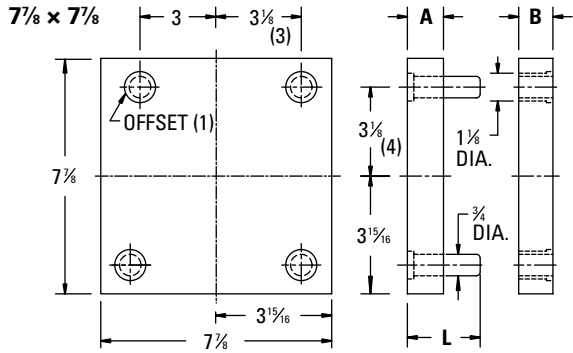
Thickness of each plate is finish ground ± .001". Width and length finished square and parallel.

WHEN ORDERING, PLEASE SPECIFY:

- Quantity & Item Number
 - No. 1, No. 2, No. 3 or No. 7 Steel
 - L Dimension (Guide Pin Length)
 - Method of Shipment
- (No. 7 Steel available standard only for plates up to and including 2 7/8" thick)

Cavity Retainer Sets

7 7/8 x 7 7/8 and 7 7/8 x 11 7/8



A	B	ITEM NUMBER	NET WT.
7/8	7/8	88-7-7	31
	1 1/8	88-7-13	40
	1 3/8	88-7-17	49
	2 1/8	88-7-23	58
	2 3/8	88-7-27	66
	3 1/8	88-7-33	75
	3 3/8	88-7-37	84
	4 1/8	88-7-47	102
5 1/8	88-7-57	119	
1 3/8	7/8	88-13-7	40
	1 1/8	88-13-13	49
	1 3/8	88-13-17	58
	2 1/8	88-13-23	66
	2 3/8	88-13-27	75
	3 1/8	88-13-33	84
	3 3/8	88-13-37	93
	4 1/8	88-13-47	110
5 1/8	88-13-57	128	
1 7/8	7/8	88-17-7	49
	1 1/8	88-17-13	58
	1 3/8	88-17-17	66
	2 1/8	88-17-23	75
	2 3/8	88-17-27	84
	3 1/8	88-17-33	93
	3 3/8	88-17-37	102
	4 1/8	88-17-47	119
5 1/8	88-17-57	137	
2 3/8	7/8	88-23-7	58
	1 1/8	88-23-13	66
	1 3/8	88-23-17	75
	2 1/8	88-23-23	84
	2 3/8	88-23-27	93
	3 1/8	88-23-33	102
	3 3/8	88-23-37	110
	4 1/8	88-23-47	128
5 1/8	88-23-57	145	
2 7/8	7/8	88-27-7	66
	1 1/8	88-27-13	75
	1 3/8	88-27-17	84
	2 1/8	88-27-23	93
	2 3/8	88-27-27	102
	3 1/8	88-27-33	110
	3 3/8	88-27-37	119
	4 1/8	88-27-47	137
5 1/8	88-27-57	154	

A	B	ITEM NUMBER	NET WT.
3 3/8	7/8	88-33-7	75
	1 1/8	88-33-13	84
	1 3/8	88-33-17	93
	2 1/8	88-33-23	102
	2 3/8	88-33-27	110
	3 1/8	88-33-33	119
	3 3/8	88-33-37	128
	4 1/8	88-33-47	145
5 1/8	88-33-57	163	
3 7/8	7/8	88-37-7	84
	1 1/8	88-37-13	93
	1 3/8	88-37-17	102
	2 1/8	88-37-23	110
	2 3/8	88-37-27	119
	3 1/8	88-37-33	128
	3 3/8	88-37-37	137
	4 1/8	88-37-47	154
5 1/8	88-37-57	172	
4 7/8	7/8	88-47-7	102
	1 1/8	88-47-13	110
	1 3/8	88-47-17	119
	2 1/8	88-47-23	128
	2 3/8	88-47-27	137
	3 1/8	88-47-33	145
	3 3/8	88-47-37	154
	4 1/8	88-47-47	172
5 1/8	88-47-57	189	
5 7/8	7/8	88-57-7	119
	1 1/8	88-57-13	128
	1 3/8	88-57-17	137
	2 1/8	88-57-23	145
	2 3/8	88-57-27	154
	3 1/8	88-57-33	163
	3 3/8	88-57-37	172
	4 1/8	88-57-47	189
5 1/8	88-57-57	207	

A	B	ITEM NUMBER	NET WT.
7/8	7/8	812-7-7	48
	1 1/8	812-7-13	61
	1 3/8	812-7-17	74
	2 1/8	812-7-23	87
	2 3/8	812-7-27	100
	3 1/8	812-7-33	113
	3 3/8	812-7-37	126
	4 1/8	812-7-47	153
5 1/8	812-7-57	179	
1 3/8	7/8	812-13-7	61
	1 1/8	812-13-13	74
	1 3/8	812-13-17	87
	2 1/8	812-13-23	100
	2 3/8	812-13-27	113
	3 1/8	812-13-33	126
	3 3/8	812-13-37	139
	4 1/8	812-13-47	166
5 1/8	812-13-57	192	
1 7/8	7/8	812-17-7	74
	1 1/8	812-17-13	87
	1 3/8	812-17-17	100
	2 1/8	812-17-23	113
	2 3/8	812-17-27	126
	3 1/8	812-17-33	139
	3 3/8	812-17-37	152
	4 1/8	812-17-47	179
5 1/8	812-17-57	205	
2 3/8	7/8	812-23-7	87
	1 1/8	812-23-13	100
	1 3/8	812-23-17	113
	2 1/8	812-23-23	126
	2 3/8	812-23-27	139
	3 1/8	812-23-33	152
	3 3/8	812-23-37	165
	4 1/8	812-23-47	192
5 1/8	812-23-57	218	

A	B	ITEM NUMBER	NET WT.
2 7/8	7/8	812-27-7	100
	1 1/8	812-27-13	113
	1 3/8	812-27-17	126
	2 1/8	812-27-23	139
	2 3/8	812-27-27	152
	3 1/8	812-27-33	165
	3 3/8	812-27-37	178
	4 1/8	812-27-47	205
5 1/8	812-27-57	231	
3 3/8	7/8	812-33-7	113
	1 1/8	812-33-13	126
	1 3/8	812-33-17	139
	2 1/8	812-33-23	152
	2 3/8	812-33-27	165
	3 1/8	812-33-33	178
	3 3/8	812-33-37	191
	4 1/8	812-33-47	218
5 1/8	812-33-57	244	
3 7/8	7/8	812-37-7	126
	1 1/8	812-37-13	139
	1 3/8	812-37-17	152
	2 1/8	812-37-23	165
	2 3/8	812-37-27	178
	3 1/8	812-37-33	191
	3 3/8	812-37-37	204
	4 1/8	812-37-47	231
5 1/8	812-37-57	257	
4 7/8	7/8	812-47-7	153
	1 1/8	812-47-13	166
	1 3/8	812-47-17	179
	2 1/8	812-47-23	192
	2 3/8	812-47-27	205
	3 1/8	812-47-33	218
	3 3/8	812-47-37	231
	4 1/8	812-47-47	258
5 1/8	812-47-57	284	
5 7/8	7/8	812-57-7	179
	1 1/8	812-57-13	192
	1 3/8	812-57-17	205
	2 1/8	812-57-23	218
	2 3/8	812-57-27	231
	3 1/8	812-57-33	244
	3 3/8	812-57-37	257
	4 1/8	812-57-47	284
5 1/8	812-57-57	310	

Thickness of each plate is finish ground ± .001". Width and length finished square and parallel.

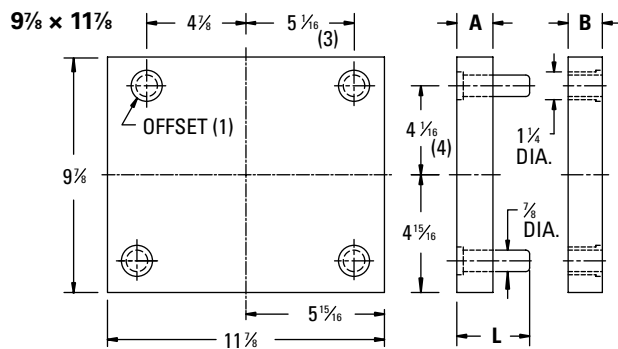
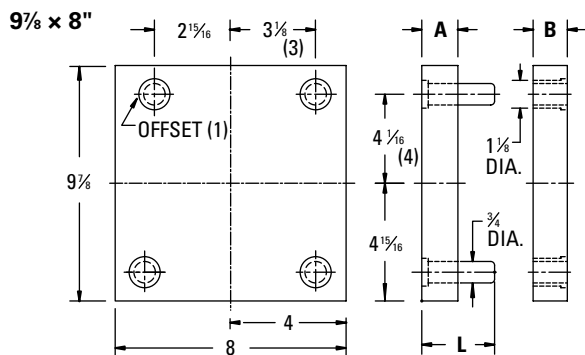
WHEN ORDERING, PLEASE SPECIFY:

- Quantity & Item Number
- No. 1, No. 2, No. 3 or No. 7 Steel (No. 7 Steel available standard only for plates up to and including 2 3/8" thick)
- L Dimension (Guide Pin Length)
- Method of Shipment

Cavity Retainer Sets | Cavity Retainer Sets 7 7/8 x 7 7/8 and 7 7/8 x 11 7/8

Cavity Retainer Sets

9 7/8 x 8" and 9 7/8 x 11 7/8



A	B	ITEM NUMBER	NET WT.
7/8	7/8	108-7-7	40
	1 1/8	108-7-13	51
	1 1/4	108-7-17	62
	2 1/8	108-7-23	73
	2 1/2	108-7-27	84
	3 1/8	108-7-33	96
	3 1/4	108-7-37	107
	4 1/8	108-7-47	129
	5 1/8	108-7-57	152
	7/8	108-13-7	51
1 1/8	108-13-13	62	
1 1/4	108-13-17	73	
2 1/8	108-13-23	84	
2 1/2	108-13-27	96	
3 1/8	108-13-33	107	
3 1/4	108-13-37	118	
4 1/8	108-13-47	140	
5 1/8	108-13-57	163	
7/8	108-17-7	62	
1 1/8	108-17-13	73	
1 1/4	108-17-17	84	
2 1/8	108-17-23	96	
2 1/2	108-17-27	107	
3 1/8	108-17-33	118	
3 1/4	108-17-37	129	
4 1/8	108-17-47	152	
5 1/8	108-17-57	174	
7/8	108-23-7	73	
1 1/8	108-23-13	84	
1 1/4	108-23-17	96	
2 1/8	108-23-23	107	
2 1/2	108-23-27	118	
3 1/8	108-23-33	129	
3 1/4	108-23-37	140	
4 1/8	108-23-47	163	
5 1/8	108-23-57	185	
7/8	108-27-7	84	
1 1/8	108-27-13	96	
1 1/4	108-27-17	107	
2 1/8	108-27-23	118	
2 1/2	108-27-27	129	
3 1/8	108-27-33	140	
3 1/4	108-27-37	152	
4 1/8	108-27-47	174	
5 1/8	108-27-57	196	

A	B	ITEM NUMBER	NET WT.
3 3/8	7/8	108-33-7	96
	1 1/8	108-33-13	107
	1 1/4	108-33-17	118
	2 1/8	108-33-23	129
	2 1/2	108-33-27	140
	3 1/8	108-33-33	152
	3 1/4	108-33-37	163
	4 1/8	108-33-47	185
	5 1/8	108-33-57	208
	7/8	108-37-7	107
1 1/8	108-37-13	118	
1 1/4	108-37-17	129	
2 1/8	108-37-23	140	
2 1/2	108-37-27	152	
3 1/8	108-37-33	163	
3 1/4	108-37-37	174	
4 1/8	108-37-47	196	
5 1/8	108-37-57	219	
7/8	108-47-7	129	
1 1/8	108-47-13	140	
1 1/4	108-47-17	152	
2 1/8	108-47-23	163	
2 1/2	108-47-27	174	
3 1/8	108-47-33	185	
3 1/4	108-47-37	196	
4 1/8	108-47-47	219	
5 1/8	108-47-57	241	
7/8	108-57-7	152	
1 1/8	108-57-13	163	
1 1/4	108-57-17	174	
2 1/8	108-57-23	185	
2 1/2	108-57-27	196	
3 1/8	108-57-33	208	
3 1/4	108-57-37	219	
4 1/8	108-57-47	241	
5 1/8	108-57-57	263	

A	B	ITEM NUMBER	NET WT.
7/8	7/8	1012-7-7	59
	1 1/8	1012-7-13	75
	1 1/4	1012-7-17	92
	2 1/8	1012-7-23	108
	2 1/2	1012-7-27	125
	3 1/8	1012-7-33	142
	3 1/4	1012-7-37	158
	4 1/8	1012-7-47	192
	5 1/8	1012-7-57	225
	7/8	1012-13-7	75
1 1/8	1012-13-13	92	
1 1/4	1012-13-17	108	
2 1/8	1012-13-23	125	
2 1/2	1012-13-27	142	
3 1/8	1012-13-33	158	
3 1/4	1012-13-37	175	
4 1/8	1012-13-47	208	
5 1/8	1012-13-57	241	
7/8	1012-17-7	92	
1 1/8	1012-17-13	108	
1 1/4	1012-17-17	125	
2 1/8	1012-17-23	142	
2 1/2	1012-17-27	158	
3 1/8	1012-17-33	175	
3 1/4	1012-17-37	192	
4 1/8	1012-17-47	225	
5 1/8	1012-17-57	258	
7/8	1012-23-7	108	
1 1/8	1012-23-13	125	
1 1/4	1012-23-17	142	
2 1/8	1012-23-23	158	
2 1/2	1012-23-27	175	
3 1/8	1012-23-33	192	
3 1/4	1012-23-37	208	
4 1/8	1012-23-47	241	
5 1/8	1012-23-57	275	

A	B	ITEM NUMBER	NET WT.
2 7/8	7/8	1012-27-7	125
	1 1/8	1012-27-13	142
	1 1/4	1012-27-17	158
	2 1/8	1012-27-23	175
	2 1/2	1012-27-27	192
	3 1/8	1012-27-33	208
	3 1/4	1012-27-37	225
	4 1/8	1012-27-47	258
	5 1/8	1012-27-57	291
	7/8	1012-33-7	142
1 1/8	1012-33-13	158	
1 1/4	1012-33-17	175	
2 1/8	1012-33-23	192	
2 1/2	1012-33-27	208	
3 1/8	1012-33-33	225	
3 1/4	1012-33-37	241	
4 1/8	1012-33-47	275	
5 1/8	1012-33-57	308	
7/8	1012-37-7	158	
1 1/8	1012-37-13	175	
1 1/4	1012-37-17	192	
2 1/8	1012-37-23	208	
2 1/2	1012-37-27	225	
3 1/8	1012-37-33	241	
3 1/4	1012-37-37	258	
4 1/8	1012-37-47	291	
5 1/8	1012-37-57	324	
7/8	1012-47-7	192	
1 1/8	1012-47-13	208	
1 1/4	1012-47-17	225	
2 1/8	1012-47-23	241	
2 1/2	1012-47-27	258	
3 1/8	1012-47-33	275	
3 1/4	1012-47-37	291	
4 1/8	1012-47-47	324	
5 1/8	1012-47-57	358	
7/8	1012-57-7	225	
1 1/8	1012-57-13	241	
1 1/4	1012-57-17	258	
2 1/8	1012-57-23	275	
2 1/2	1012-57-27	291	
3 1/8	1012-57-33	308	
3 1/4	1012-57-37	324	
4 1/8	1012-57-47	358	
5 1/8	1012-57-57	391	

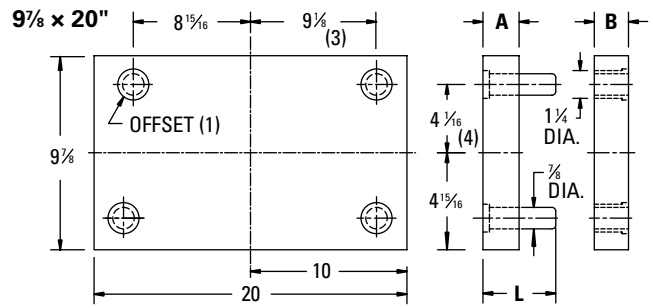
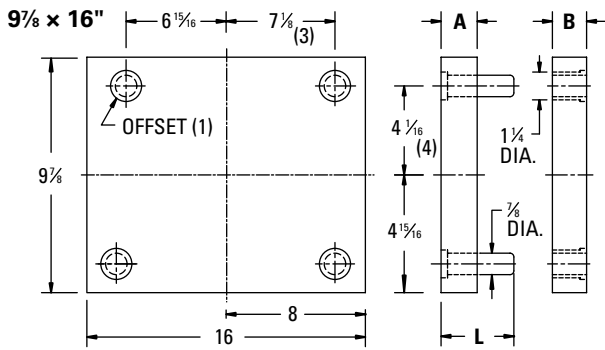
Thickness of each plate is finish ground ± .001". Width and length finished square and parallel.

WHEN ORDERING, PLEASE SPECIFY:

- Quantity & Item Number
- No. 1, No. 2, No. 3 or No. 7 Steel (No. 7 Steel available standard only for plates up to and including 2 1/2" thick)
- L Dimension (Guide Pin Length)
- Method of Shipment

Cavity Retainer Sets

9 7/8" x 16" and 9 7/8" x 20"



A	B	ITEM NUMBER	NET WT.
7/8	7/8	1016-7-7	79
	1 1/8	1016-7-13	101
	1 1/4	1016-7-17	124
	1 3/8	1016-7-23	146
	1 1/2	1016-7-27	168
	1 5/8	1016-7-33	191
	1 3/4	1016-7-37	213
	1 7/8	1016-7-47	258
1 1/8	1 7/8	1016-7-57	303
	2 1/8	1016-13-7	101
	2 1/4	1016-13-13	124
	2 1/2	1016-13-17	146
	2 3/4	1016-13-23	168
	2 5/8	1016-13-27	191
	2 3/4	1016-13-33	213
	2 7/8	1016-13-37	235
1 3/8	3 1/8	1016-13-47	280
	3 1/4	1016-13-57	325
	3 1/2	1016-17-7	124
	3 3/4	1016-17-13	146
	3 5/8	1016-17-17	168
	3 3/4	1016-17-23	191
	3 7/8	1016-17-27	213
	4 1/8	1016-17-33	235
1 5/8	4 1/4	1016-17-37	258
	4 1/2	1016-17-47	303
	4 3/4	1016-17-57	347
	4 5/8	1016-23-7	146
	4 3/4	1016-23-13	168
	4 7/8	1016-23-17	191
	5 1/8	1016-23-23	213
	5 1/4	1016-23-27	235
1 7/8	5 1/2	1016-23-33	258
	5 3/4	1016-23-37	280
	5 5/8	1016-23-47	325
	5 3/4	1016-23-57	370
	5 7/8	1016-27-7	168
	6 1/8	1016-27-13	191
	6 1/4	1016-27-17	213
	6 3/8	1016-27-23	235
1 9/8	6 1/2	1016-27-27	258
	6 3/4	1016-27-33	280
	6 5/8	1016-27-37	303
	6 3/4	1016-27-47	347
	6 7/8	1016-27-57	392
	7 1/8	1016-27-7	168
	7 1/4	1016-27-13	191
	7 1/2	1016-27-17	213
2 1/8	7 3/4	1016-27-23	235
	7 5/8	1016-27-27	258
	7 3/4	1016-27-33	280
	7 7/8	1016-27-37	303
	8 1/8	1016-27-47	347
	8 1/4	1016-27-57	392
	8 1/2	1016-27-7	168
	8 1/4	1016-27-13	191
2 3/8	8 1/2	1016-27-17	213
	8 3/4	1016-27-23	235
	8 5/8	1016-27-27	258
	8 3/4	1016-27-33	280
	8 7/8	1016-27-37	303
	9 1/8	1016-27-47	347
	9 1/4	1016-27-57	392
	9 1/2	1016-27-7	168
2 5/8	9 1/4	1016-27-13	191
	9 1/2	1016-27-17	213
	9 3/4	1016-27-23	235
	9 5/8	1016-27-27	258
	9 3/4	1016-27-33	280
	9 7/8	1016-27-37	303
	10 1/8	1016-27-47	347
	10 1/4	1016-27-57	392

A	B	ITEM NUMBER	NET WT.
3 1/8	7/8	1016-33-7	191
	1 1/8	1016-33-13	213
	1 1/4	1016-33-17	235
	1 3/8	1016-33-23	258
	1 1/2	1016-33-27	280
	1 5/8	1016-33-33	303
	1 3/4	1016-33-37	325
	1 7/8	1016-33-47	370
3 3/8	1 5/8	1016-33-57	415
	2 1/8	1016-37-7	213
	2 1/4	1016-37-13	235
	2 1/2	1016-37-17	258
	2 3/4	1016-37-23	280
	2 5/8	1016-37-27	303
	2 3/4	1016-37-33	325
	2 7/8	1016-37-37	347
3 5/8	3 1/8	1016-37-47	392
	3 1/4	1016-37-57	437
	3 1/2	1016-47-7	258
	3 3/4	1016-47-13	280
	3 5/8	1016-47-17	303
	3 3/4	1016-47-23	325
	3 7/8	1016-47-27	347
	4 1/8	1016-47-33	370
4 1/8	4 1/4	1016-47-37	392
	4 1/2	1016-47-47	437
	4 3/4	1016-47-57	482
	4 5/8	1016-57-7	303
	4 3/4	1016-57-13	325
	4 7/8	1016-57-17	347
	5 1/8	1016-57-23	370
	5 1/4	1016-57-27	392
4 3/8	5 1/2	1016-57-33	415
	5 3/4	1016-57-37	437
	5 5/8	1016-57-47	482
	5 3/4	1016-57-57	526

A	B	ITEM NUMBER	NET WT.
7/8	7/8	1020-7-7	98
	1 1/8	1020-7-13	126
	1 1/4	1020-7-17	154
	1 3/8	1020-7-23	182
	1 1/2	1020-7-27	210
	1 5/8	1020-7-33	238
	1 3/4	1020-7-37	266
	1 7/8	1020-7-47	322
1 1/8	1 5/8	1020-7-57	378
	2 1/8	1020-13-7	126
	2 1/4	1020-13-13	154
	2 1/2	1020-13-17	182
	2 3/4	1020-13-23	210
	2 5/8	1020-13-27	238
	2 3/4	1020-13-33	266
	2 7/8	1020-13-37	294
1 3/8	3 1/8	1020-13-47	350
	3 1/4	1020-13-57	406
	3 1/2	1020-17-7	154
	3 3/4	1020-17-13	182
	3 5/8	1020-17-17	210
	3 3/4	1020-17-23	238
	3 7/8	1020-17-27	266
	4 1/8	1020-17-33	294
1 5/8	4 1/4	1020-17-37	322
	4 1/2	1020-17-47	378
	4 3/4	1020-17-57	434
	4 5/8	1020-23-7	182
	4 3/4	1020-23-13	210
	4 7/8	1020-23-17	238
	5 1/8	1020-23-23	266
	5 1/4	1020-23-27	294
1 7/8	5 1/2	1020-23-33	322
	5 3/4	1020-23-37	350
	5 5/8	1020-23-47	406
	5 3/4	1020-23-57	462

A	B	ITEM NUMBER	NET WT.
2 1/8	7/8	1020-27-7	210
	1 1/8	1020-27-13	238
	1 1/4	1020-27-17	266
	1 3/8	1020-27-23	294
	1 1/2	1020-27-27	322
	1 5/8	1020-27-33	350
	1 3/4	1020-27-37	378
	1 7/8	1020-27-47	434
2 3/8	1 5/8	1020-27-57	490
	2 1/8	1020-33-7	238
	2 1/4	1020-33-13	266
	2 1/2	1020-33-17	294
	2 3/4	1020-33-23	322
	2 5/8	1020-33-27	350
	2 3/4	1020-33-33	378
	2 7/8	1020-33-37	406
2 5/8	3 1/8	1020-33-47	462
	3 1/4	1020-33-57	518
	3 1/2	1020-37-7	266
	3 3/4	1020-37-13	294
	3 5/8	1020-37-17	322
	3 3/4	1020-37-23	350
	3 7/8	1020-37-27	378
	4 1/8	1020-37-33	406
2 7/8	4 1/4	1020-37-37	434
	4 1/2	1020-37-47	490
	4 3/4	1020-37-57	546
	4 5/8	1020-47-7	322
	4 3/4	1020-47-13	350
	4 7/8	1020-47-17	378
	5 1/8	1020-47-23	406
	5 1/4	1020-47-27	434
2 9/8	5 1/2	1020-47-33	462
	5 3/4	1020-47-37	490
	5 5/8	1020-47-47	546
	5 3/4	1020-47-57	602
	5 7/8	1020-57-7	378
	6 1/8	1020-57-13	406
	6 1/4	1020-57-17	434
	6 3/8	1020-57-23	462
3 1/8	6 1/2	1020-57-27	490
	6 3/4	1020-57-33	518
	6 5/8	1020-57-37	546
	6 3/4	1020-57-47	602
	6 7/8	1020-57-57	658

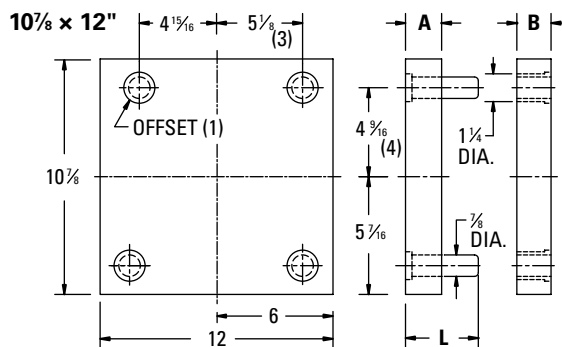
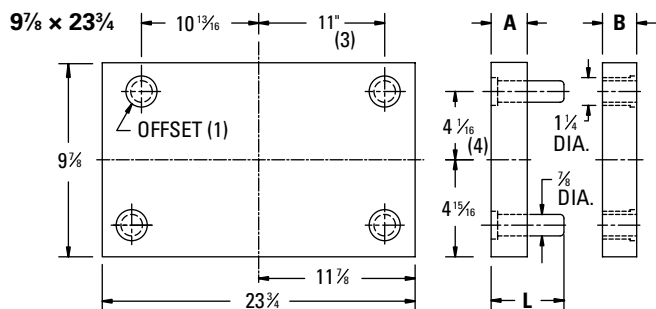
Thickness of each plate is finish ground ± .001". Width and length finished square and parallel.

WHEN ORDERING, PLEASE SPECIFY:

- Quantity & Item Number
- No. 1, No. 2, No. 3 or No. 7 Steel (No. 7 Steel available standard only for plates up to and including 2 1/2" thick)
- L Dimension (Guide Pin Length)
- Method of Shipment

Cavity Retainer Sets

9 7/8 x 23 3/4 and 10 7/8 x 12"



A	B	ITEM NUMBER	NET WT.	A	B	ITEM NUMBER	NET WT.
1 3/8	1 3/8	1024-13-13	183	3 3/8	1 3/8	1024-33-13	316
	1 7/8	1024-13-17	216		1 7/8	1024-33-17	349
	2 1/8	1024-13-23	250		2 1/8	1024-33-23	383
	2 1/2	1024-13-27	283		2 1/2	1024-33-27	416
	3 1/8	1024-13-33	316		3 3/8	1024-33-33	449
	3 1/2	1024-13-37	349		3 1/2	1024-33-37	482
	4 1/8	1024-13-47	416		4 1/8	1024-33-47	549
	5 1/8	1024-13-57	482		5 1/8	1024-33-57	615
1 7/8	1 3/8	1024-17-13	216	3 7/8	1 3/8	1024-37-13	349
	1 7/8	1024-17-17	250		1 7/8	1024-37-17	383
	2 1/8	1024-17-23	283		2 1/8	1024-37-23	416
	2 1/2	1024-17-27	316		2 1/2	1024-37-27	449
	3 1/8	1024-17-33	349		3 3/8	1024-37-33	482
	3 1/2	1024-17-37	383		3 1/2	1024-37-37	515
	4 1/8	1024-17-47	449		4 1/8	1024-37-47	582
	5 1/8	1024-17-57	515		5 1/8	1024-37-57	648
2 3/8	1 3/8	1024-23-13	250	4 7/8	1 3/8	1024-47-13	416
	1 7/8	1024-23-17	283		1 7/8	1024-47-17	449
	2 1/8	1024-23-23	316		2 1/8	1024-47-23	482
	2 1/2	1024-23-27	349		2 1/2	1024-47-27	515
	3 1/8	1024-23-33	383		3 3/8	1024-47-33	549
	3 1/2	1024-23-37	416		3 1/2	1024-47-37	582
	4 1/8	1024-23-47	482		4 1/8	1024-47-47	648
	5 1/8	1024-23-57	549		5 1/8	1024-47-57	715
2 7/8	1 3/8	1024-27-13	283	5 7/8	1 3/8	1024-57-13	482
	1 7/8	1024-27-17	316		1 7/8	1024-57-17	515
	2 1/8	1024-27-23	349		2 1/8	1024-57-23	549
	2 1/2	1024-27-27	383		2 1/2	1024-57-27	582
	3 1/8	1024-27-33	416		3 3/8	1024-57-33	615
	3 1/2	1024-27-37	449		3 1/2	1024-57-37	648
	4 1/8	1024-27-47	515		4 1/8	1024-57-47	715
	5 1/8	1024-27-57	582		5 1/8	1024-57-57	781

A	B	ITEM NUMBER	NET WT.	A	B	ITEM NUMBER	NET WT.
7/8	7/8	1112-7-7	65	2 7/8	7/8	1112-27-7	139
	1 3/8	1112-7-13	84		1 3/8	1112-27-13	158
	1 7/8	1112-7-17	102		1 7/8	1112-27-17	176
	2 1/8	1112-7-23	121		2 1/8	1112-27-23	195
	2 1/2	1112-7-27	139		2 1/2	1112-27-27	213
	3 1/8	1112-7-33	158		3 1/8	1112-27-33	232
	3 1/2	1112-7-37	176		3 1/2	1112-27-37	250
	4 1/8	1112-7-47	213		4 1/8	1112-27-47	287
	5 1/8	1112-7-57	250		5 1/8	1112-27-57	324
	7/8	1112-13-7	84		7/8	1112-33-7	158
1 3/8	1 3/8	1112-13-13	102	1 3/8	1112-33-13	176	
	1 7/8	1112-13-17	121	1 7/8	1112-33-17	195	
	2 1/8	1112-13-23	139	2 1/8	1112-33-23	213	
	2 1/2	1112-13-27	158	2 1/2	1112-33-27	232	
	3 1/8	1112-13-33	176	3 1/8	1112-33-33	250	
	3 1/2	1112-13-37	195	3 1/2	1112-33-37	269	
	4 1/8	1112-13-47	232	4 1/8	1112-33-47	306	
	5 1/8	1112-13-57	269	5 1/8	1112-33-57	343	
	7/8	1112-17-7	102	7/8	1112-37-7	176	
	1 3/8	1112-17-13	121	1 3/8	1112-37-13	195	
1 7/8	1 7/8	1112-17-17	139	1 7/8	1112-37-17	213	
	2 1/8	1112-17-23	158	2 1/8	1112-37-23	232	
	2 1/2	1112-17-27	176	2 1/2	1112-37-27	250	
	3 1/8	1112-17-33	195	3 1/8	1112-37-33	269	
	3 1/2	1112-17-37	213	3 1/2	1112-37-37	287	
	4 1/8	1112-17-47	250	4 1/8	1112-37-47	324	
	5 1/8	1112-17-57	287	5 1/8	1112-37-57	361	
	7/8	1112-23-7	121	7/8	1112-47-7	213	
	1 3/8	1112-23-13	139	1 3/8	1112-47-13	232	
	1 7/8	1112-23-17	158	1 7/8	1112-47-17	250	
2 3/8	2 1/8	1112-23-23	176	2 1/8	1112-47-23	269	
	2 1/2	1112-23-27	195	2 1/2	1112-47-27	287	
	3 1/8	1112-23-33	213	3 1/8	1112-47-33	306	
	3 1/2	1112-23-37	232	3 1/2	1112-47-37	324	
	4 1/8	1112-23-47	269	4 1/8	1112-47-47	361	
	5 1/8	1112-23-57	306	5 1/8	1112-47-57	398	
	7/8	1112-57-7	250	7/8	1112-57-7	250	
	1 3/8	1112-57-13	269	1 3/8	1112-57-13	269	
	1 7/8	1112-57-17	287	1 7/8	1112-57-17	287	
	2 1/8	1112-57-23	306	2 1/8	1112-57-23	306	
2 1/2	1112-57-27	324	2 1/2	1112-57-27	324		
3 1/8	1112-57-33	343	3 1/8	1112-57-33	343		
3 1/2	1112-57-37	361	3 1/2	1112-57-37	361		
4 1/8	1112-57-47	398	4 1/8	1112-57-47	398		
5 1/8	1112-57-57	435	5 1/8	1112-57-57	435		

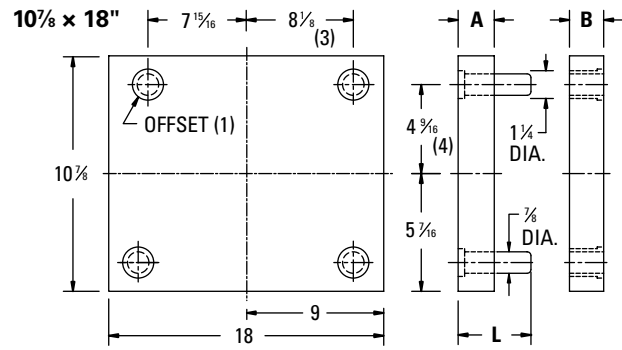
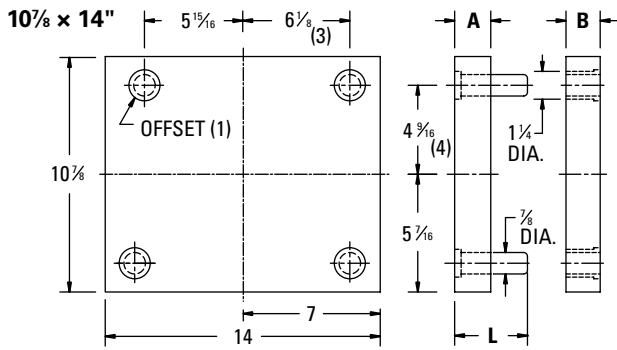
Thickness of each plate is finish ground ± .001". Width and length finished square and parallel.

WHEN ORDERING, PLEASE SPECIFY:

- Quantity & Item Number
- No. 1, No. 2, No. 3 or No. 7 Steel (No. 7 Steel available standard only for plates up to and including 2 7/8 thick)
- L Dimension (Guide Pin Length)
- Method of Shipment

Cavity Retainer Sets

10⁷/₈ × 14" and 10⁷/₈ × 18"



	A	B	ITEM NUMBER	NET WT.
7/8	7/8	7/8	1114-7-7	76
	1 1/8	1 1/8	1114-7-13	98
	1 1/4	1 1/4	1114-7-17	119
	1 3/8	1 3/8	1114-7-23	141
	1 1/2	1 1/2	1114-7-27	162
	1 5/8	1 5/8	1114-7-33	184
	1 3/4	1 3/4	1114-7-37	205
	1 7/8	1 7/8	1114-7-47	249
1 1/8	1 7/8	1 7/8	1114-7-57	292
	2 1/8	2 1/8	1114-13-7	98
	2 1/4	2 1/4	1114-13-13	119
	2 3/8	2 3/8	1114-13-17	141
	2 1/2	2 1/2	1114-13-23	162
	2 5/8	2 5/8	1114-13-27	184
	2 3/4	2 3/4	1114-13-33	205
	2 7/8	2 7/8	1114-13-37	227
1 3/8	2 7/8	2 7/8	1114-13-47	270
	3 1/8	3 1/8	1114-13-57	313
	3 1/4	3 1/4	1114-17-7	119
	3 3/8	3 3/8	1114-17-13	141
	3 1/2	3 1/2	1114-17-17	162
	3 5/8	3 5/8	1114-17-23	184
	3 3/4	3 3/4	1114-17-27	205
	3 7/8	3 7/8	1114-17-33	227
1 7/8	3 7/8	3 7/8	1114-17-37	249
	4 1/8	4 1/8	1114-17-47	292
	4 1/4	4 1/4	1114-17-57	335
	4 3/8	4 3/8	1114-23-7	141
	4 1/2	4 1/2	1114-23-13	162
	4 5/8	4 5/8	1114-23-17	184
	4 3/4	4 3/4	1114-23-23	205
	4 7/8	4 7/8	1114-23-27	227
2 1/8	4 7/8	4 7/8	1114-23-33	249
	5 1/8	5 1/8	1114-23-37	270
	5 1/4	5 1/4	1114-23-47	313
	5 3/8	5 3/8	1114-23-57	356
	5 1/2	5 1/2	1114-27-7	162
	5 5/8	5 5/8	1114-27-13	184
	5 3/4	5 3/4	1114-27-17	205
	5 7/8	5 7/8	1114-27-23	227

	A	B	ITEM NUMBER	NET WT.
3 3/8	5 7/8	5 7/8	1114-33-7	184
	6 1/8	6 1/8	1114-33-13	205
	6 1/4	6 1/4	1114-33-17	227
	6 3/8	6 3/8	1114-33-23	249
	6 1/2	6 1/2	1114-33-27	270
	6 5/8	6 5/8	1114-33-33	292
	6 3/4	6 3/4	1114-33-37	313
	6 7/8	6 7/8	1114-33-47	356
3 7/8	6 7/8	6 7/8	1114-33-57	400
	7 1/8	7 1/8	1114-37-7	205
	7 1/4	7 1/4	1114-37-13	227
	7 3/8	7 3/8	1114-37-17	249
	7 1/2	7 1/2	1114-37-23	270
	7 5/8	7 5/8	1114-37-27	292
	7 3/4	7 3/4	1114-37-33	313
	7 7/8	7 7/8	1114-37-37	335
4 7/8	7 7/8	7 7/8	1114-37-47	378
	8 1/8	8 1/8	1114-37-57	421
	8 1/4	8 1/4	1114-47-7	249
	8 3/8	8 3/8	1114-47-13	270
	8 1/2	8 1/2	1114-47-17	292
	8 5/8	8 5/8	1114-47-23	313
	8 3/4	8 3/4	1114-47-27	335
	8 7/8	8 7/8	1114-47-33	356
5 7/8	8 7/8	8 7/8	1114-47-37	378
	9 1/8	9 1/8	1114-47-47	421
	9 1/4	9 1/4	1114-47-57	464
	9 3/8	9 3/8	1114-57-7	292
	9 1/2	9 1/2	1114-57-13	313
	9 5/8	9 5/8	1114-57-17	335
	9 3/4	9 3/4	1114-57-23	356
	9 7/8	9 7/8	1114-57-27	378

	A	B	ITEM NUMBER	NET WT.
7/8	7/8	7/8	1118-7-7	98
	1 1/8	1 1/8	1118-7-13	125
	1 1/4	1 1/4	1118-7-17	153
	1 3/8	1 3/8	1118-7-23	181
	1 1/2	1 1/2	1118-7-27	208
	1 5/8	1 5/8	1118-7-33	236
	1 3/4	1 3/4	1118-7-37	264
	1 7/8	1 7/8	1118-7-47	319
1 3/8	1 7/8	1 7/8	1118-7-57	375
	2 1/8	2 1/8	1118-13-7	125
	2 1/4	2 1/4	1118-13-13	153
	2 3/8	2 3/8	1118-13-17	181
	2 1/2	2 1/2	1118-13-23	208
	2 5/8	2 5/8	1118-13-27	236
	2 3/4	2 3/4	1118-13-33	264
	2 7/8	2 7/8	1118-13-37	292
1 7/8	2 7/8	2 7/8	1118-13-47	347
	3 1/8	3 1/8	1118-13-57	403
	3 1/4	3 1/4	1118-17-7	153
	3 3/8	3 3/8	1118-17-13	181
	3 1/2	3 1/2	1118-17-17	208
	3 5/8	3 5/8	1118-17-23	236
	3 3/4	3 3/4	1118-17-27	264
	3 7/8	3 7/8	1118-17-33	292
2 3/8	3 7/8	3 7/8	1118-17-37	319
	4 1/8	4 1/8	1118-17-47	375
	4 1/4	4 1/4	1118-17-57	430
	4 3/8	4 3/8	1118-23-7	181
	4 1/2	4 1/2	1118-23-13	208
	4 5/8	4 5/8	1118-23-17	236
	4 3/4	4 3/4	1118-23-23	264
	4 7/8	4 7/8	1118-23-27	292

	A	B	ITEM NUMBER	NET WT.
2 7/8	4 7/8	4 7/8	1118-23-33	319
	5 1/8	5 1/8	1118-23-37	347
	5 1/4	5 1/4	1118-23-47	403
	5 3/8	5 3/8	1118-23-57	458
	5 1/2	5 1/2	1118-27-7	264
	5 5/8	5 5/8	1118-27-13	292
	5 3/4	5 3/4	1118-27-17	319
	5 7/8	5 7/8	1118-27-23	347
3 3/8	5 7/8	5 7/8	1118-27-27	375
	6 1/8	6 1/8	1118-27-33	403
	6 1/4	6 1/4	1118-27-37	430
	6 3/8	6 3/8	1118-27-47	486
	6 1/2	6 1/2	1118-37-7	264
	6 5/8	6 5/8	1118-37-13	292
	6 3/4	6 3/4	1118-37-17	319
	6 7/8	6 7/8	1118-37-23	347
3 7/8	6 7/8	6 7/8	1118-37-27	375
	7 1/8	7 1/8	1118-37-33	403
	7 1/4	7 1/4	1118-37-37	430
	7 3/8	7 3/8	1118-37-47	486
	7 1/2	7 1/2	1118-37-57	541
	7 5/8	7 5/8	1118-47-7	319
	7 3/4	7 3/4	1118-47-13	347
	7 7/8	7 7/8	1118-47-17	375
4 7/8	7 7/8	7 7/8	1118-47-23	403
	8 1/8	8 1/8	1118-47-27	430
	8 1/4	8 1/4	1118-47-33	458
	8 3/8	8 3/8	1118-47-37	486
	8 1/2	8 1/2	1118-47-47	541
	8 5/8	8 5/8	1118-47-57	597
	8 3/4	8 3/4	1118-57-7	375
	8 7/8	8 7/8	1118-57-13	403
5 7/8	8 7/8	8 7/8	1118-57-17	430
	9 1/8	9 1/8	1118-57-23	458
	9 1/4	9 1/4	1118-57-27	486
	9 3/8	9 3/8	1118-57-33	513
	9 1/2	9 1/2	1118-57-37	541
	9 5/8	9 5/8	1118-57-47	597
	9 3/4	9 3/4	1118-57-57	652

Thickness of each plate is finish ground ± .001". Width and length finished square and parallel.

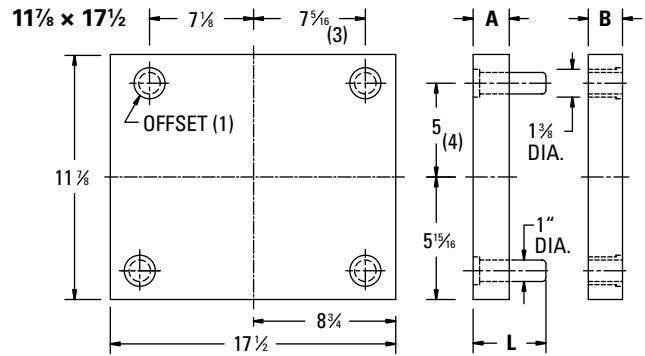
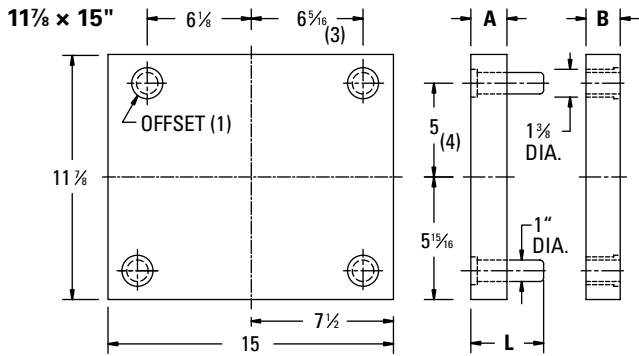
WHEN ORDERING, PLEASE SPECIFY:

- Quantity & Item Number
- No. 1, No. 2, No. 3 or No. 7 Steel
(No. 7 Steel available standard only for plates up to and including 2 7/8" thick)
- L Dimension (Guide Pin Length)
- Method of Shipment

Cavity Retainer Sets | Cavity Retainer Sets 10⁷/₈ × 14" and 10⁷/₈ × 18"

Cavity Retainer Sets

1 1/8" x 15" and 1 1/8" x 17 1/2"



A	B	ITEM NUMBER	NET WT.
7/8	7/8	1215-7-7	89
	1 1/8	1215-7-13	114
	1 1/4	1215-7-17	139
	1 3/8	1215-7-23	164
	1 1/2	1215-7-27	190
	1 5/8	1215-7-33	215
	1 3/4	1215-7-37	240
	1 7/8	1215-7-47	291
1 3/8	1 7/8	1215-13-7	114
	1 1/2	1215-13-13	139
	1 1/4	1215-13-17	164
	1 3/8	1215-13-23	190
	1 1/2	1215-13-27	215
	1 5/8	1215-13-33	240
	1 3/4	1215-13-37	265
	1 7/8	1215-13-47	316
1 7/8	1 7/8	1215-17-7	139
	1 1/2	1215-17-13	164
	1 1/4	1215-17-17	190
	1 3/8	1215-17-23	215
	1 1/2	1215-17-27	240
	1 5/8	1215-17-33	265
	1 3/4	1215-17-37	291
	1 7/8	1215-17-47	341
2 3/8	1 7/8	1215-23-7	164
	1 1/2	1215-23-13	190
	1 1/4	1215-23-17	215
	1 3/8	1215-23-23	240
	1 1/2	1215-23-27	265
	1 5/8	1215-23-33	291
	1 3/4	1215-23-37	316
	1 7/8	1215-23-47	366
2 7/8	1 7/8	1215-27-7	190
	1 1/2	1215-27-13	215
	1 1/4	1215-27-17	240
	1 3/8	1215-27-23	265
	1 1/2	1215-27-27	291
	1 5/8	1215-27-33	316
	1 3/4	1215-27-37	341
	1 7/8	1215-27-47	392

A	B	ITEM NUMBER	NET WT.
3 3/8	7/8	1215-33-7	215
	1 1/8	1215-33-13	240
	1 1/4	1215-33-17	265
	1 3/8	1215-33-23	291
	1 1/2	1215-33-27	316
	1 5/8	1215-33-33	341
	1 3/4	1215-33-37	366
	1 7/8	1215-33-47	417
3 7/8	7/8	1215-37-7	240
	1 1/8	1215-37-13	265
	1 1/4	1215-37-17	291
	1 3/8	1215-37-23	316
	1 1/2	1215-37-27	341
	1 5/8	1215-37-33	366
	1 3/4	1215-37-37	392
	1 7/8	1215-37-47	442
4 7/8	7/8	1215-47-7	291
	1 1/8	1215-47-13	316
	1 1/4	1215-47-17	341
	1 3/8	1215-47-23	366
	1 1/2	1215-47-27	392
	1 5/8	1215-47-33	417
	1 3/4	1215-47-37	442
	1 7/8	1215-47-47	492
5 7/8	7/8	1215-57-7	341
	1 1/8	1215-57-13	366
	1 1/4	1215-57-17	392
	1 3/8	1215-57-23	417
	1 1/2	1215-57-27	442
	1 5/8	1215-57-33	467
	1 3/4	1215-57-37	492
	1 7/8	1215-57-47	543

A	B	ITEM NUMBER	NET WT.
7/8	7/8	1217-7-7	104
	1 1/8	1217-7-13	133
	1 1/4	1217-7-17	162
	1 3/8	1217-7-23	192
	1 1/2	1217-7-27	221
	1 5/8	1217-7-33	251
	1 3/4	1217-7-37	280
	1 7/8	1217-7-47	339
1 3/8	7/8	1217-13-7	133
	1 1/8	1217-13-13	162
	1 1/4	1217-13-17	192
	1 3/8	1217-13-23	221
	1 1/2	1217-13-27	251
	1 5/8	1217-13-33	280
	1 3/4	1217-13-37	310
	1 7/8	1217-13-47	368
1 7/8	7/8	1217-17-7	162
	1 1/8	1217-17-13	192
	1 1/4	1217-17-17	221
	1 3/8	1217-17-23	251
	1 1/2	1217-17-27	280
	1 5/8	1217-17-33	310
	1 3/4	1217-17-37	339
	1 7/8	1217-17-47	398
2 3/8	7/8	1217-23-7	192
	1 1/8	1217-23-13	221
	1 1/4	1217-23-17	251
	1 3/8	1217-23-23	280
	1 1/2	1217-23-27	310
	1 5/8	1217-23-33	339
	1 3/4	1217-23-37	368
	1 7/8	1217-23-47	427

A	B	ITEM NUMBER	NET WT.
2 7/8	7/8	1217-27-7	221
	1 1/8	1217-27-13	251
	1 1/4	1217-27-17	280
	1 3/8	1217-27-23	310
	1 1/2	1217-27-27	339
	1 5/8	1217-27-33	368
	1 3/4	1217-27-37	398
	1 7/8	1217-27-47	457
3 3/8	7/8	1217-33-7	251
	1 1/8	1217-33-13	280
	1 1/4	1217-33-17	310
	1 3/8	1217-33-23	339
	1 1/2	1217-33-27	368
	1 5/8	1217-33-33	398
	1 3/4	1217-33-37	427
	1 7/8	1217-33-47	486
3 7/8	7/8	1217-37-7	280
	1 1/8	1217-37-13	310
	1 1/4	1217-37-17	339
	1 3/8	1217-37-23	368
	1 1/2	1217-37-27	398
	1 5/8	1217-37-33	427
	1 3/4	1217-37-37	457
	1 7/8	1217-37-47	516
4 7/8	7/8	1217-47-7	339
	1 1/8	1217-47-13	368
	1 1/4	1217-47-17	398
	1 3/8	1217-47-23	427
	1 1/2	1217-47-27	457
	1 5/8	1217-47-33	486
	1 3/4	1217-47-37	516
	1 7/8	1217-47-47	575
5 7/8	7/8	1217-57-7	398
	1 1/8	1217-57-13	427
	1 1/4	1217-57-17	457
	1 3/8	1217-57-23	486
	1 1/2	1217-57-27	516
	1 5/8	1217-57-33	545
	1 3/4	1217-57-37	575
	1 7/8	1217-57-47	633

Thickness of each plate is finish ground ± .001". Width and length finished square and parallel.

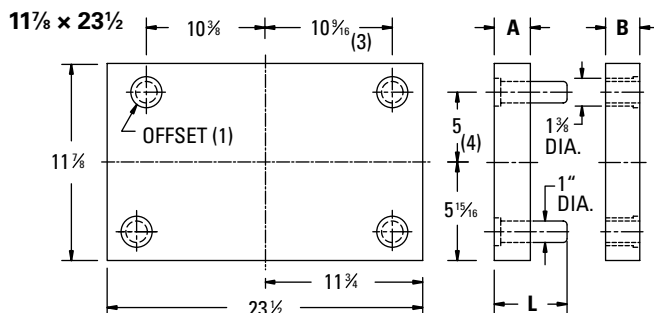
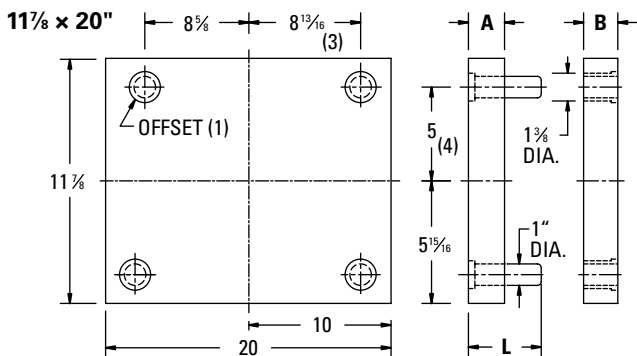
WHEN ORDERING, PLEASE SPECIFY:

- Quantity & Item Number
- No. 1, No. 2, No. 3 or No. 7 Steel
(No. 7 Steel available standard only for plates up to and including 2 7/8" thick)
- L Dimension (Guide Pin Length)
- Method of Shipment

Cavity Retainer Sets | Cavity Retainer Sets 1 1/8" x 15" and 1 1/8" x 17 1/2"

Cavity Retainer Sets

11 7/8 x 20" and 11 7/8 x 23 1/2"



A	B	ITEM NUMBER	NET WT.
7/8	7/8	1220-7-7	118
	1 1/8	1220-7-13	152
	1 1/4	1220-7-17	186
	1 3/8	1220-7-23	219
	1 1/2	1220-7-27	253
	1 5/8	1220-7-33	286
	1 3/4	1220-7-37	320
	1 7/8	1220-7-47	387
	2	1220-7-57	455
1 3/8	7/8	1220-13-7	152
	1 1/8	1220-13-13	186
	1 1/4	1220-13-17	219
	1 3/8	1220-13-23	253
	1 1/2	1220-13-27	286
	1 5/8	1220-13-33	320
	1 3/4	1220-13-37	354
	1 7/8	1220-13-47	421
	2	1220-13-57	488
1 7/8	7/8	1220-17-7	186
	1 1/8	1220-17-13	219
	1 1/4	1220-17-17	253
	1 3/8	1220-17-23	286
	1 1/2	1220-17-27	320
	1 5/8	1220-17-33	354
	1 3/4	1220-17-37	387
	1 7/8	1220-17-47	455
	2	1220-17-57	522
2 3/8	7/8	1220-23-7	219
	1 1/8	1220-23-13	253
	1 1/4	1220-23-17	286
	1 3/8	1220-23-23	320
	1 1/2	1220-23-27	354
	1 5/8	1220-23-33	387
	1 3/4	1220-23-37	421
	1 7/8	1220-23-47	488
	2	1220-23-57	556
2 7/8	7/8	1220-27-7	253
	1 1/8	1220-27-13	286
	1 1/4	1220-27-17	320
	1 3/8	1220-27-23	354
	1 1/2	1220-27-27	387
	1 5/8	1220-27-33	421
	1 3/4	1220-27-37	455
	1 7/8	1220-27-47	522
	2	1220-27-57	589

A	B	ITEM NUMBER	NET WT.
3 3/8	7/8	1220-33-7	286
	1 1/8	1220-33-13	320
	1 1/4	1220-33-17	354
	1 3/8	1220-33-23	387
	1 1/2	1220-33-27	421
	1 5/8	1220-33-33	455
	1 3/4	1220-33-37	488
	1 7/8	1220-33-47	556
	2	1220-33-57	623
3 7/8	7/8	1220-37-7	320
	1 1/8	1220-37-13	354
	1 1/4	1220-37-17	387
	1 3/8	1220-37-23	421
	1 1/2	1220-37-27	455
	1 5/8	1220-37-33	488
	1 3/4	1220-37-37	522
	1 7/8	1220-37-47	589
	2	1220-37-57	656
4 7/8	7/8	1220-47-7	387
	1 1/8	1220-47-13	421
	1 1/4	1220-47-17	455
	1 3/8	1220-47-23	488
	1 1/2	1220-47-27	522
	1 5/8	1220-47-33	556
	1 3/4	1220-47-37	589
	1 7/8	1220-47-47	656
	2	1220-47-57	724
5 7/8	7/8	1220-57-7	455
	1 1/8	1220-57-13	488
	1 1/4	1220-57-17	522
	1 3/8	1220-57-23	556
	1 1/2	1220-57-27	589
	1 5/8	1220-57-33	623
	1 3/4	1220-57-37	656
	1 7/8	1220-57-47	724
	2	1220-57-57	791

A	B	ITEM NUMBER	NET WT.
1 3/8	1 3/8	1223-13-13	218
	1 7/8	1223-13-17	257
	2 1/8	1223-13-23	297
	2 1/4	1223-13-27	336
	2 3/8	1223-13-33	376
	2 1/2	1223-13-37	416
	2 7/8	1223-13-47	495
	3	1223-13-57	574
	3 1/8	1223-13-7	257
1 7/8	1 7/8	1223-17-17	297
	2 1/8	1223-17-23	336
	2 1/4	1223-17-27	376
	2 3/8	1223-17-33	416
	2 1/2	1223-17-37	455
	2 7/8	1223-17-47	534
	3	1223-17-57	613
	3 1/8	1223-17-7	297
	3 1/4	1223-17-17	376
2 3/8	2 3/8	1223-23-13	297
	2 7/8	1223-23-17	336
	3 1/8	1223-23-23	376
	3 1/4	1223-23-27	416
	3 3/8	1223-23-33	455
	3 1/2	1223-23-37	495
	3 7/8	1223-23-47	574
	4	1223-23-57	653
	4 1/8	1223-23-7	336
2 7/8	2 7/8	1223-27-13	376
	3 1/8	1223-27-17	416
	3 1/4	1223-27-23	455
	3 3/8	1223-27-27	495
	3 1/2	1223-27-33	534
	3 7/8	1223-27-47	613
	4	1223-27-57	692
	4 1/8	1223-27-7	455
	4 1/4	1223-27-17	534

A	B	ITEM NUMBER	NET WT.
3 3/8	1 3/8	1223-33-13	376
	1 7/8	1223-33-17	416
	2 1/8	1223-33-23	455
	2 1/4	1223-33-27	495
	2 3/8	1223-33-33	534
	2 1/2	1223-33-37	574
	2 7/8	1223-33-47	653
	3	1223-33-57	732
	3 1/8	1223-37-13	416
3 7/8	3 7/8	1223-37-17	455
	4 1/8	1223-37-23	495
	4 1/4	1223-37-27	534
	4 3/8	1223-37-33	574
	4 1/2	1223-37-37	613
	4 7/8	1223-37-47	692
	5	1223-37-57	771
	5 1/8	1223-37-7	495
	5 1/4	1223-37-17	574
4 7/8	4 7/8	1223-47-13	495
	5 1/8	1223-47-17	534
	5 1/4	1223-47-23	574
	5 3/8	1223-47-27	613
	5 1/2	1223-47-33	653
	5 3/4	1223-47-37	692
	5 7/8	1223-47-47	771
	6	1223-47-57	850
	6 1/8	1223-47-7	574
5 7/8	5 7/8	1223-57-13	574
	6 1/8	1223-57-17	613
	6 1/4	1223-57-23	653
	6 3/8	1223-57-27	692
	6 1/2	1223-57-33	732
	6 3/4	1223-57-37	771
	6 7/8	1223-57-47	850
	7	1223-57-57	929
	7 1/8	1223-57-7	574

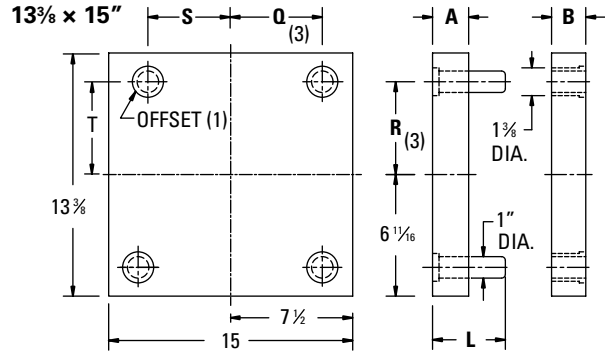
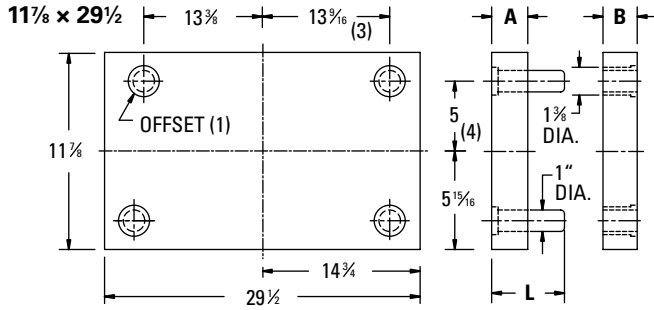
Thickness of each plate is finish ground ± .001". Width and length finished square and parallel.

WHEN ORDERING, PLEASE SPECIFY:

- Quantity & Item Number
 - No. 1, No. 2, No. 3 or No. 7 Steel
 - L Dimension (Guide Pin Length)
 - Method of Shipment
- (No. 7 Steel available standard only for plates up to and including 2 7/8" thick)

Cavity Retainer Sets

11⁷/₈ × 29¹/₂ and 13³/₈ × 15"



A	B	ITEM NUMBER	NET WT.
1 ³ / ₈	1 ¹ / ₈	1229-13-13	273
	1 ¹ / ₂	1229-13-17	323
	2 ¹ / ₈	1229-13-23	373
	2 ¹ / ₂	1229-13-27	422
	3 ¹ / ₈	1229-13-33	472
	3 ¹ / ₂	1229-13-37	522
	4 ¹ / ₈	1229-13-47	621
	5 ¹ / ₈	1229-13-57	720
	1 ¹ / ₂	1229-17-13	323
1 ¹ / ₂	1229-17-17	373	
2 ¹ / ₈	1229-17-23	422	
1 ⁷ / ₈	2 ¹ / ₈	1229-17-27	472
	3 ¹ / ₈	1229-17-33	522
	3 ¹ / ₂	1229-17-37	571
	4 ¹ / ₈	1229-17-47	670
	5 ¹ / ₈	1229-17-57	770
	1 ¹ / ₂	1229-23-13	373
	1 ¹ / ₂	1229-23-17	422
	2 ¹ / ₈	1229-23-23	472
	2 ¹ / ₈	1229-23-27	522
2 ³ / ₈	3 ¹ / ₈	1229-23-33	571
	3 ¹ / ₂	1229-23-37	621
	4 ¹ / ₈	1229-23-47	720
	5 ¹ / ₈	1229-23-57	819
	1 ¹ / ₂	1229-27-13	422
	1 ¹ / ₂	1229-27-17	472
	2 ¹ / ₈	1229-27-23	522
	2 ¹ / ₈	1229-27-27	571
	3 ¹ / ₈	1229-27-33	621
2 ⁷ / ₈	3 ¹ / ₂	1229-27-37	670
	4 ¹ / ₈	1229-27-47	770
	5 ¹ / ₈	1229-27-57	869
	3 ¹ / ₈	1229-33-13	670
	3 ¹ / ₈	1229-33-17	720
	4 ¹ / ₈	1229-33-23	819
	4 ¹ / ₈	1229-33-27	869
	5 ¹ / ₈	1229-33-33	968
	5 ¹ / ₈	1229-33-37	1067

A	B	ITEM NUMBER	NET WT.
3 ³ / ₈	1 ¹ / ₈	1229-33-13	472
	1 ¹ / ₂	1229-33-17	522
	2 ¹ / ₈	1229-33-23	571
	2 ¹ / ₂	1229-33-27	621
	3 ¹ / ₈	1229-33-33	670
	3 ¹ / ₂	1229-33-37	720
	4 ¹ / ₈	1229-33-47	819
	5 ¹ / ₈	1229-33-57	918
	1 ¹ / ₂	1229-37-13	522
1 ¹ / ₂	1229-37-17	571	
2 ¹ / ₈	1229-37-23	621	
3 ⁷ / ₈	2 ¹ / ₈	1229-37-27	670
	3 ¹ / ₈	1229-37-33	720
	3 ¹ / ₂	1229-37-37	770
	4 ¹ / ₈	1229-37-47	869
	5 ¹ / ₈	1229-37-57	968
	1 ¹ / ₂	1229-47-13	621
	1 ¹ / ₂	1229-47-17	670
	2 ¹ / ₈	1229-47-23	720
	2 ¹ / ₈	1229-47-27	770
4 ⁷ / ₈	3 ¹ / ₈	1229-47-33	819
	3 ¹ / ₂	1229-47-37	869
	4 ¹ / ₈	1229-47-47	968
	5 ¹ / ₈	1229-47-57	1067
	1 ¹ / ₂	1229-57-13	720
	1 ¹ / ₂	1229-57-17	770
	2 ¹ / ₈	1229-57-23	819
	2 ¹ / ₈	1229-57-27	869
	3 ¹ / ₈	1229-57-33	918
5 ⁷ / ₈	3 ¹ / ₂	1229-57-37	968
	4 ¹ / ₈	1229-57-47	1067
	5 ¹ / ₈	1229-57-57	1167

AVAILABLE WITH CHOICE OF LEADER PIN LOCATION:

TYPE A

For injection molds or die cast dies

DIM	TYPE	
	A	C
Q	6 ⁵ / ₁₆	6 ¹ / ₂
R	5 ¹ / ₁₆	4 ¹ / ₄
S	6 ¹ / ₈	6 ¹ / ₂
T	5 ¹ / ₁₆	4 ¹ / ₁₆

TYPE C

For compression molds

A	B	ITEM NUMBER	NET WT.
7 ⁷ / ₈	7 ¹ / ₈	1315-7-7	100
	1 ¹ / ₂	1315-7-13	128
	1 ⁷ / ₈	1315-7-17	157
	2 ¹ / ₈	1315-7-23	185
	2 ¹ / ₈	1315-7-27	214
	3 ¹ / ₈	1315-7-33	242
	3 ¹ / ₂	1315-7-37	270
	4 ¹ / ₈	1315-7-47	327
	5 ¹ / ₈	1315-7-57	384
1 ³ / ₈	7 ¹ / ₈	1315-13-7	128
	1 ¹ / ₂	1315-13-13	157
	1 ⁷ / ₈	1315-13-17	185
	2 ¹ / ₈	1315-13-23	214
	2 ¹ / ₈	1315-13-27	242
	3 ¹ / ₈	1315-13-33	270
	3 ¹ / ₂	1315-13-37	299
	4 ¹ / ₈	1315-13-47	356
	5 ¹ / ₈	1315-13-57	413
1 ⁷ / ₈	7 ¹ / ₈	1315-17-7	157
	1 ¹ / ₂	1315-17-13	185
	1 ⁷ / ₈	1315-17-17	214
	2 ¹ / ₈	1315-17-23	242
	2 ¹ / ₈	1315-17-27	270
	3 ¹ / ₈	1315-17-33	299
	3 ¹ / ₂	1315-17-37	327
	4 ¹ / ₈	1315-17-47	384
	5 ¹ / ₈	1315-17-57	441
2 ³ / ₈	7 ¹ / ₈	1315-23-7	185
	1 ¹ / ₂	1315-23-13	214
	1 ⁷ / ₈	1315-23-17	242
	2 ¹ / ₈	1315-23-23	270
	2 ¹ / ₈	1315-23-27	299
	3 ¹ / ₈	1315-23-33	327
	3 ¹ / ₂	1315-23-37	356
	4 ¹ / ₈	1315-23-47	413
	5 ¹ / ₈	1315-23-57	469

A	B	ITEM NUMBER	NET WT.
2 ⁷ / ₈	7 ¹ / ₈	1315-27-7	214
	1 ¹ / ₂	1315-27-13	242
	1 ⁷ / ₈	1315-27-17	270
	2 ¹ / ₈	1315-27-23	299
	2 ¹ / ₈	1315-27-27	327
	3 ¹ / ₈	1315-27-33	356
	3 ¹ / ₂	1315-27-37	384
	4 ¹ / ₈	1315-27-47	441
	5 ¹ / ₈	1315-27-57	498
3 ³ / ₈	7 ¹ / ₈	1315-33-7	242
	1 ¹ / ₂	1315-33-13	270
	1 ⁷ / ₈	1315-33-17	299
	2 ¹ / ₈	1315-33-23	327
	2 ¹ / ₈	1315-33-27	356
	3 ¹ / ₈	1315-33-33	384
	3 ¹ / ₂	1315-33-37	413
	4 ¹ / ₈	1315-33-47	469
	5 ¹ / ₈	1315-33-57	526
3 ⁷ / ₈	7 ¹ / ₈	1315-37-7	270
	1 ¹ / ₂	1315-37-13	299
	1 ⁷ / ₈	1315-37-17	327
	2 ¹ / ₈	1315-37-23	356
	2 ¹ / ₈	1315-37-27	384
	3 ¹ / ₈	1315-37-33	413
	3 ¹ / ₂	1315-37-37	441
	4 ¹ / ₈	1315-37-47	498
	5 ¹ / ₈	1315-37-57	555
4 ⁷ / ₈	7 ¹ / ₈	1315-47-7	327
	1 ¹ / ₂	1315-47-13	356
	1 ⁷ / ₈	1315-47-17	384
	2 ¹ / ₈	1315-47-23	413
	2 ¹ / ₈	1315-47-27	441
	3 ¹ / ₈	1315-47-33	469
	3 ¹ / ₂	1315-47-37	498
	4 ¹ / ₈	1315-47-47	555
	5 ¹ / ₈	1315-47-57	612
5 ⁷ / ₈	7 ¹ / ₈	1315-57-7	384
	1 ¹ / ₂	1315-57-13	413
	1 ⁷ / ₈	1315-57-17	441
	2 ¹ / ₈	1315-57-23	469
	2 ¹ / ₈	1315-57-27	498
	3 ¹ / ₈	1315-57-33	526
	3 ¹ / ₂	1315-57-37	555
	4 ¹ / ₈	1315-57-47	612
	5 ¹ / ₈	1315-57-57	668

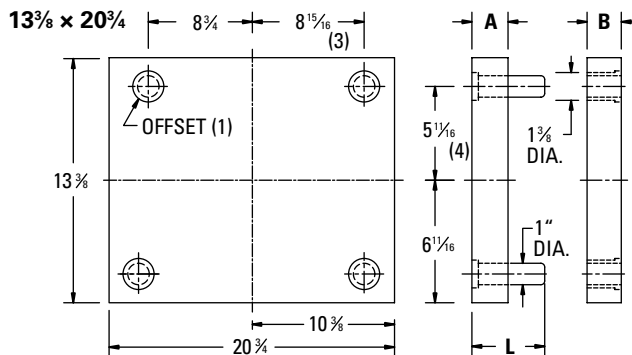
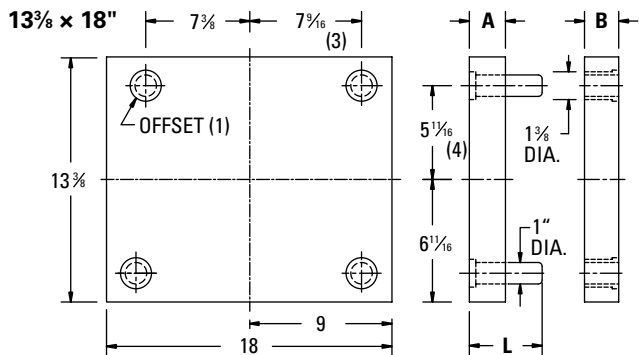
Thickness of each plate is finish ground ± .001".
Width and length finished square and parallel.

WHEN ORDERING, PLEASE SPECIFY:

- Quantity & Item Number
- No. 1, No. 2, No. 3 or No. 7 Steel (No. 7 Steel available standard only for plates up to and including 2% thick)
- L Dimension (Guide Pin Length)
- Method of Shipment

Cavity Retainer Sets

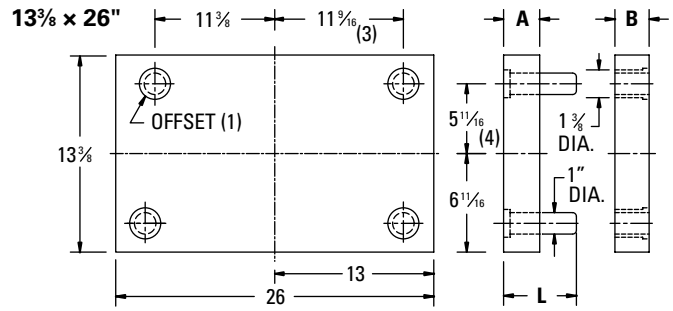
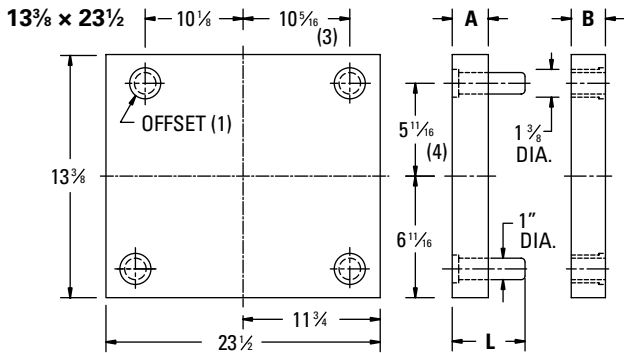
13³/₈ x 18" and 13³/₈ x 20³/₄



A	B	ITEM NUMBER	NET WT.
7/8	7/8	1318-7-7	120
	1 1/8	1318-7-13	154
	1 1/4	1318-7-17	188
	2 1/8	1318-7-23	222
	2 1/2	1318-7-27	256
	3 1/8	1318-7-33	290
	3 1/4	1318-7-37	324
	4 1/8	1318-7-47	393
1 3/8	5 1/8	1318-7-57	461
	7/8	1318-13-7	154
	1 1/8	1318-13-13	188
	1 1/4	1318-13-17	222
	2 1/8	1318-13-23	256
	2 1/2	1318-13-27	290
	3 1/8	1318-13-33	324
	3 1/4	1318-13-37	359
1 7/8	4 1/8	1318-13-47	427
	5 1/8	1318-13-57	495
	7/8	1318-17-7	188
	1 1/8	1318-17-13	222
	1 1/4	1318-17-17	256
	2 1/8	1318-17-23	290
	2 1/2	1318-17-27	324
	3 1/8	1318-17-33	359
2 3/8	3 1/4	1318-17-37	393
	4 1/8	1318-17-47	461
	5 1/8	1318-17-57	529
	7/8	1318-23-7	222
	1 1/8	1318-23-13	256
	1 1/4	1318-23-17	290
	2 1/8	1318-23-23	324
	2 1/2	1318-23-27	359
2 7/8	3 1/8	1318-23-33	393
	3 1/4	1318-23-37	427
	4 1/8	1318-23-47	495
	5 1/8	1318-23-57	563
	7/8	1318-27-7	256
	1 1/8	1318-27-13	290
	1 1/4	1318-27-17	324
	2 1/8	1318-27-23	359
3 1/8	2 1/2	1318-27-27	393
	3 1/8	1318-27-33	427
	3 1/4	1318-27-37	461
	4 1/8	1318-27-47	529
	5 1/8	1318-27-57	597
	7/8	1318-33-7	290
	1 1/8	1318-33-13	324
	1 1/4	1318-33-17	359
3 3/8	2 1/8	1318-33-23	393
	2 1/2	1318-33-27	427
	3 1/8	1318-33-33	461
	3 1/4	1318-33-37	495
	4 1/8	1318-33-47	563
	5 1/8	1318-33-57	631
	7/8	1318-37-7	324
	1 1/8	1318-37-13	359
3 7/8	1 1/4	1318-37-17	393
	2 1/8	1318-37-23	427
	2 1/2	1318-37-27	461
	3 1/8	1318-37-33	495
	3 1/4	1318-37-37	529
	4 1/8	1318-37-47	597
	5 1/8	1318-37-57	665
	7/8	1318-47-7	393
4 1/8	1 1/8	1318-47-13	427
	1 1/4	1318-47-17	461
	2 1/8	1318-47-23	495
	2 1/2	1318-47-27	529
	3 1/8	1318-47-33	563
	3 1/4	1318-47-37	597
	4 1/8	1318-47-47	665
	5 1/8	1318-47-57	734
4 3/8	7/8	1318-57-7	461
	1 1/8	1318-57-13	495
	1 1/4	1318-57-17	529
	2 1/8	1318-57-23	563
	2 1/2	1318-57-27	597
	3 1/8	1318-57-33	631
	3 1/4	1318-57-37	665
	4 1/8	1318-57-47	734
4 7/8	5 1/8	1318-57-57	802
	7/8	1318-7-7	120
	1 1/8	1318-7-13	154
	1 1/4	1318-7-17	188
	2 1/8	1318-7-23	222
	2 1/2	1318-7-27	256
	3 1/8	1318-7-33	290
	3 1/4	1318-7-37	324
5 1/8	4 1/8	1318-7-47	393
	5 1/8	1318-7-57	461
	7/8	1318-13-7	154
	1 1/8	1318-13-13	188
	1 1/4	1318-13-17	222
	2 1/8	1318-13-23	256
	2 1/2	1318-13-27	290
	3 1/8	1318-13-33	324
5 3/8	3 1/4	1318-13-37	359
	4 1/8	1318-13-47	427
	5 1/8	1318-13-57	495
	7/8	1318-17-7	188
	1 1/8	1318-17-13	222
	1 1/4	1318-17-17	256
	2 1/8	1318-17-23	290
	2 1/2	1318-17-27	324
5 7/8	3 1/8	1318-17-33	359
	3 1/4	1318-17-37	393
	4 1/8	1318-17-47	461
	5 1/8	1318-17-57	529
	7/8	1318-23-7	222
	1 1/8	1318-23-13	256
	1 1/4	1318-23-17	290
	2 1/8	1318-23-23	324
6 1/8	2 1/2	1318-23-27	359
	3 1/8	1318-23-33	393
	3 1/4	1318-23-37	427
	4 1/8	1318-23-47	495
	5 1/8	1318-23-57	563
	7/8	1318-27-7	256
	1 1/8	1318-27-13	290
	1 1/4	1318-27-17	324
6 3/8	2 1/8	1318-27-23	359
	2 1/2	1318-27-27	393
	3 1/8	1318-27-33	427
	3 1/4	1318-27-37	461
	4 1/8	1318-27-47	529
	5 1/8	1318-27-57	597
	7/8	1318-33-7	290
	1 1/8	1318-33-13	324
6 7/8	1 1/4	1318-33-17	359
	2 1/8	1318-33-23	393
	2 1/2	1318-33-27	427
	3 1/8	1318-33-33	461
	3 1/4	1318-33-37	495
	4 1/8	1318-33-47	563
	5 1/8	1318-33-57	631
	7/8	1318-37-7	324
7 1/8	1 1/8	1318-37-13	359
	1 1/4	1318-37-17	393
	2 1/8	1318-37-23	427
	2 1/2	1318-37-27	461
	3 1/8	1318-37-33	495
	3 1/4	1318-37-37	529
	4 1/8	1318-37-47	597
	5 1/8	1318-37-57	665
7 3/8	7/8	1318-47-7	393
	1 1/8	1318-47-13	427
	1 1/4	1318-47-17	461
	2 1/8	1318-47-23	495
	2 1/2	1318-47-27	529
	3 1/8	1318-47-33	563
	3 1/4	1318-47-37	597
	4 1/8	1318-47-47	665
7 7/8	5 1/8	1318-47-57	734
	7/8	1318-57-7	461
	1 1/8	1318-57-13	495
	1 1/4	1318-57-17	529
	2 1/8	1318-57-23	563
	2 1/2	1318-57-27	597
	3 1/8	1318-57-33	631
	3 1/4	1318-57-37	665
8 1/8	4 1/8	1318-57-47	734
	5 1/8	1318-57-57	802
	7/8	1318-7-7	120
	1 1/8	1318-7-13	154
	1 1/4	1318-7-17	188
	2 1/8	1318-7-23	222
	2 1/2	1318-7-27	256
	3 1/8	1318-7-33	290
8 3/8	3 1/4	1318-7-37	324
	4 1/8	1318-7-47	393
	5 1/8	1318-7-57	461
	7/8	1318-13-7	154
	1 1/8	1318-13-13	188
	1 1/4	1318-13-17	222
	2 1/8	1318-13-23	256
	2 1/2	1318-13-27	290
8 7/8	3 1/8	1318-13-33	324
	3 1/4	1318-13-37	359
	4 1/8	1318-13-47	427
	5 1/8	1318-13-57	495
	7/8	1318-17-7	188
	1 1/8	1318-17-13	222
	1 1/4	1318-17-17	256
	2 1/8	1318-17-23	290
9 1/8	2 1/2	1318-17-27	324
	3 1/8	1318-17-33	359
	3 1/4	1318-17-37	393
	4 1/8	1318-17-47	461
	5 1/8	1318-17-57	529
	7/8	1318-23-7	222
	1 1/8	1318-23-13	256
	1 1/4	1318-23-17	290
9 3/8	2 1/8	1318-23-23	324
	2 1/2	1318-23-27	359
	3 1/8	1318-23-33	393
	3 1/4	1318-23-37	427
	4 1/8	1318-23-47	495
	5 1/8	1318-23-57	563
	7/8	1318-27-7	256
	1 1/8	1318-27-13	290
9 7/8	1 1/4	1318-27-17	324
	2 1/8	1318-27-23	359
	2 1/2	1318-27-27	393
	3 1/8	1318-27-33	427
	3 1/4	1318-27-37	461
	4 1/8	1318-27-47	529
	5 1/8	1318-27-57	597
	7/8	1318-33-7	290
10 1/8	1 1/8	1318-33-13	324
	1 1/4	1318-33-17	359
	2 1/8	1318-33-23	393
	2 1/2	1318-33-27	427
	3 1/8	1318-33-33	461
	3 1/4	1318-33-37	495
	4 1/8	1318-33-47	563
	5 1/8	1318-33-57	631
10 3/8	7/8	1318-37-7	324
	1 1/8	1318-37-13	359
	1 1/4	1318-37-17	393
	2 1/8	1318-37-23	427
	2 1/2	1318-37-27	461
	3 1/8	1318-37-33	495
	3 1/4	1318-37-37	529
	4 1/8	1318-37-47	597
10 7/8	5 1/8	1318-37-57	665
	7/8	1318-47-7	393
	1 1/8	1318-47-13	427
	1 1/4	1318-47-17	461
	2 1/8	1318-47-23	495
	2 1/2	1318-47-27	529
	3 1/8	1318-47-33	563
	3 1/4	1318-47-37	597
11 1/8	4 1/8	1318-47-47	665
	5 1/8	1318-47-57	734
	7/8	1318-57-7	461
	1 1/8	1318-57-13	495
	1 1/4	1318-57-17	529
	2 1/8	1318-57-23	563
	2 1/2	1318-57-27	597
	3 1/8	1318-57-33	631
11 3/8	3 1/4	1318-57-37	665
	4 1/8	1318-57-47	734
	5 1/8	1318-57-57	802
	7/8	1318-7-7	120
	1 1/8	1318-7-13	154
	1 1/4	1318-7-17	188
	2 1/8	1318-7-23	222
	2 1/2	1318-7-27	256
11 7/8	3 1/8	1318-7-33	290
	3 1/4	1318-7-37	324
	4 1/8	1318-7-47	393
	5 1/8	1318-7-57	461
	7/8	1318-13-7	154
	1 1/8	1318-13-13	188
	1 1/4	1318-13-17	222
	2 1/8	1318-13-23	256
12 1/8	2 1/2	1318-13-27	290
	3 1/8	1318-13-33	324
	3 1/4	1318-13-37	359
	4 1/8	1318-13-47	427
	5 1/8	1318-13-57	495
	7/8	1318-17-7	188
	1 1/8	1318-17-13	222
	1 1/4	1318-17-17	256
12 3/8	2 1/8	1318-17-23	290
	2 1/2	1318-17-27	324
	3 1/8	1318-17-33	359
	3 1/4	1318-17-37	393
	4 1/8	1318-17-47	461
	5 1/8	1318-17-57	529
	7/8	1318-23-7	222
	1 1/8	1318-23-13	256
12 7/8	1 1/4	1318-23-17	290
	2 1/8	1318-23-23	324
	2 1/2	1318-23-27	359
	3 1/8	1318-23-33	393
	3 1/4	1318-23-37	427
	4 1/8	1318-23-47	495
	5 1/8	1318-23-57	563
	7/8	1318-27-7	256
13 1/8	1 1/8	1318-27-13	290
	1 1/4	1318-27-17	324
	2 1/8	1318-27-23	359
	2 1/2	1318-27-27	393
	3 1/8	1318-27-33	427
	3 1/4	1318-27-37	461
	4 1/8	1318-27-47	529
	5 1/8	1318-27-57	597
13 3/8	7/8	1318-33-7	290
	1 1/8	1318-33-13	324
	1 1/4	1318-33-17	359
	2 1/8	1318-33-23	393
	2 1/2	1318-33-27	427
	3 1/8	1318-33-33	461
	3 1/4	1318-33-37	495
	4 1/8	1318-33-47	563
13 7/8	5 1/8	1318-33-57	631
	7/8	1318-37-7	324
	1 1/8		

Cavity Retainer Sets

13³/₈ × 23¹/₂ and 13³/₈ × 26"



A	B	ITEM NUMBER	NET WT.
1 ³ / ₈	1 ³ / ₈	1323-13-13	245
	1 ⁷ / ₈	1323-13-17	290
	2 ³ / ₈	1323-13-23	334
	2 ⁷ / ₈	1323-13-27	379
	3 ³ / ₈	1323-13-33	423
	3 ⁷ / ₈	1323-13-37	468
	4 ³ / ₈	1323-13-47	557
	5 ³ / ₈	1323-13-57	646
1 ⁷ / ₈	1 ³ / ₈	1323-17-13	290
	1 ⁷ / ₈	1323-17-17	334
	2 ³ / ₈	1323-17-23	379
	2 ⁷ / ₈	1323-17-27	423
	3 ³ / ₈	1323-17-33	468
	3 ⁷ / ₈	1323-17-37	512
	4 ³ / ₈	1323-17-47	602
	5 ³ / ₈	1323-17-57	691
2 ³ / ₈	1 ³ / ₈	1323-23-13	334
	1 ⁷ / ₈	1323-23-17	379
	2 ³ / ₈	1323-23-23	423
	2 ⁷ / ₈	1323-23-27	468
	3 ³ / ₈	1323-23-33	512
	3 ⁷ / ₈	1323-23-37	557
	4 ³ / ₈	1323-23-47	646
	5 ³ / ₈	1323-23-57	735
2 ⁷ / ₈	1 ³ / ₈	1323-27-13	379
	1 ⁷ / ₈	1323-27-17	423
	2 ³ / ₈	1323-27-23	468
	2 ⁷ / ₈	1323-27-27	512
	3 ³ / ₈	1323-27-33	557
	3 ⁷ / ₈	1323-27-37	602
	4 ³ / ₈	1323-27-47	691
	5 ³ / ₈	1323-27-57	780

A	B	ITEM NUMBER	NET WT.
3 ³ / ₈	1 ³ / ₈	1323-33-13	423
	1 ⁷ / ₈	1323-33-17	468
	2 ³ / ₈	1323-33-23	512
	2 ⁷ / ₈	1323-33-27	557
	3 ³ / ₈	1323-33-33	602
	3 ⁷ / ₈	1323-33-37	646
	4 ³ / ₈	1323-33-47	735
	5 ³ / ₈	1323-33-57	824
3 ⁷ / ₈	1 ³ / ₈	1323-37-13	468
	1 ⁷ / ₈	1323-37-17	512
	2 ³ / ₈	1323-37-23	557
	2 ⁷ / ₈	1323-37-27	602
	3 ³ / ₈	1323-37-33	646
	3 ⁷ / ₈	1323-37-37	691
	4 ³ / ₈	1323-37-47	780
	5 ³ / ₈	1323-37-57	869
4 ⁷ / ₈	1 ³ / ₈	1323-47-13	557
	1 ⁷ / ₈	1323-47-17	602
	2 ³ / ₈	1323-47-23	646
	2 ⁷ / ₈	1323-47-27	691
	3 ³ / ₈	1323-47-33	735
	3 ⁷ / ₈	1323-47-37	780
	4 ³ / ₈	1323-47-47	869
	5 ³ / ₈	1323-47-57	958
5 ⁷ / ₈	1 ³ / ₈	1323-57-13	646
	1 ⁷ / ₈	1323-57-17	691
	2 ³ / ₈	1323-57-23	735
	2 ⁷ / ₈	1323-57-27	780
	3 ³ / ₈	1323-57-33	824
	3 ⁷ / ₈	1323-57-37	869
	4 ³ / ₈	1323-57-47	958
	5 ³ / ₈	1323-57-57	1047

A	B	ITEM NUMBER	NET WT.
1 ³ / ₈	1 ³ / ₈	1326-13-13	271
	1 ⁷ / ₈	1326-13-17	321
	2 ³ / ₈	1326-13-23	370
	2 ⁷ / ₈	1326-13-27	419
	3 ³ / ₈	1326-13-33	468
	3 ⁷ / ₈	1326-13-37	518
	4 ³ / ₈	1326-13-47	616
	5 ³ / ₈	1326-13-57	715
1 ⁷ / ₈	1 ³ / ₈	1326-17-13	321
	1 ⁷ / ₈	1326-17-17	370
	2 ³ / ₈	1326-17-23	419
	2 ⁷ / ₈	1326-17-27	468
	3 ³ / ₈	1326-17-33	518
	3 ⁷ / ₈	1326-17-37	567
	4 ³ / ₈	1326-17-47	666
	5 ³ / ₈	1326-17-57	764
2 ³ / ₈	1 ³ / ₈	1326-23-13	370
	1 ⁷ / ₈	1326-23-17	419
	2 ³ / ₈	1326-23-23	468
	2 ⁷ / ₈	1326-23-27	518
	3 ³ / ₈	1326-23-33	567
	3 ⁷ / ₈	1326-23-37	616
	4 ³ / ₈	1326-23-47	715
	5 ³ / ₈	1326-23-57	813
2 ⁷ / ₈	1 ³ / ₈	1326-27-13	419
	1 ⁷ / ₈	1326-27-17	468
	2 ³ / ₈	1326-27-23	518
	2 ⁷ / ₈	1326-27-27	567
	3 ³ / ₈	1326-27-33	616
	3 ⁷ / ₈	1326-27-37	666
	4 ³ / ₈	1326-27-47	764
	5 ³ / ₈	1326-27-57	863

A	B	ITEM NUMBER	NET WT.
3 ³ / ₈	1 ³ / ₈	1326-33-13	468
	1 ⁷ / ₈	1326-33-17	518
	2 ³ / ₈	1326-33-23	567
	2 ⁷ / ₈	1326-33-27	616
	3 ³ / ₈	1326-33-33	666
	3 ⁷ / ₈	1326-33-37	715
	4 ³ / ₈	1326-33-47	813
	5 ³ / ₈	1326-33-57	912
3 ⁷ / ₈	1 ³ / ₈	1326-37-13	518
	1 ⁷ / ₈	1326-37-17	567
	2 ³ / ₈	1326-37-23	616
	2 ⁷ / ₈	1326-37-27	666
	3 ³ / ₈	1326-37-33	715
	3 ⁷ / ₈	1326-37-37	764
	4 ³ / ₈	1326-37-47	863
	5 ³ / ₈	1326-37-57	961
4 ⁷ / ₈	1 ³ / ₈	1326-47-13	616
	1 ⁷ / ₈	1326-47-17	666
	2 ³ / ₈	1326-47-23	715
	2 ⁷ / ₈	1326-47-27	764
	3 ³ / ₈	1326-47-33	813
	3 ⁷ / ₈	1326-47-37	863
	4 ³ / ₈	1326-47-47	961
	5 ³ / ₈	1326-47-57	1060
5 ⁷ / ₈	1 ³ / ₈	1326-57-13	715
	1 ⁷ / ₈	1326-57-17	764
	2 ³ / ₈	1326-57-23	813
	2 ⁷ / ₈	1326-57-27	863
	3 ³ / ₈	1326-57-33	912
	3 ⁷ / ₈	1326-57-37	961
	4 ³ / ₈	1326-57-47	1060
	5 ³ / ₈	1326-57-57	1158

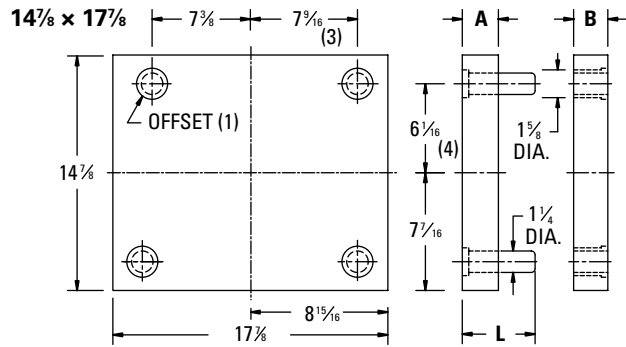
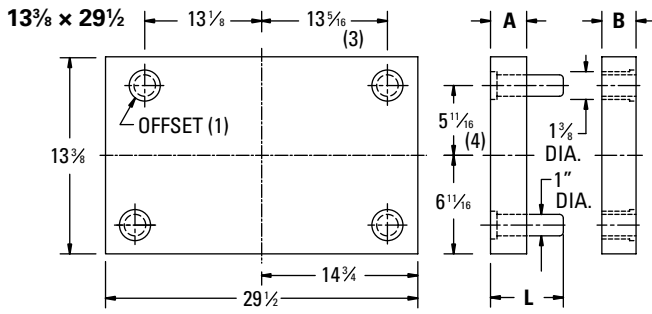
Thickness of each plate is finish ground ± .001". Width and length finished square and parallel.

WHEN ORDERING, PLEASE SPECIFY:

- Quantity & Item Number
- No. 1, No. 2, No. 3 or No. 7 Steel (No. 7 Steel available standard only for plates up to and including 2⁷/₈ thick)
- L Dimension (Guide Pin Length)
- Method of Shipment

Cavity Retainer Sets

13³/₈ × 29¹/₂ and 14⁷/₈ × 17⁷/₈



Cavity Retainer Sets | Cavity Retainer Sets 13³/₈ × 29¹/₂ and 14⁷/₈ × 17⁷/₈

A	B	ITEM NUMBER	NET WT.
1 ³ / ₈	1 ¹ / ₈	1329-13-13	308
	1 ⁷ / ₈	1329-13-17	364
	2 ¹ / ₈	1329-13-23	420
	2 ⁷ / ₈	1329-13-27	476
	3 ¹ / ₈	1329-13-33	531
	3 ⁷ / ₈	1329-13-37	587
	4 ¹ / ₈	1329-13-47	699
	5 ¹ / ₈	1329-13-57	811
1 ⁷ / ₈	1 ¹ / ₈	1329-17-13	364
	1 ⁷ / ₈	1329-17-17	420
	2 ¹ / ₈	1329-17-23	476
	2 ⁷ / ₈	1329-17-27	531
	3 ¹ / ₈	1329-17-33	587
	3 ⁷ / ₈	1329-17-37	643
	4 ¹ / ₈	1329-17-47	755
	5 ¹ / ₈	1329-17-57	867
2 ³ / ₈	1 ¹ / ₈	1329-23-13	420
	1 ⁷ / ₈	1329-23-17	476
	2 ¹ / ₈	1329-23-23	531
	2 ⁷ / ₈	1329-23-27	587
	3 ¹ / ₈	1329-23-33	643
	3 ⁷ / ₈	1329-23-37	699
	4 ¹ / ₈	1329-23-47	811
	5 ¹ / ₈	1329-23-57	923
2 ⁷ / ₈	1 ¹ / ₈	1329-27-13	476
	1 ⁷ / ₈	1329-27-17	531
	2 ¹ / ₈	1329-27-23	587
	2 ⁷ / ₈	1329-27-27	643
	3 ¹ / ₈	1329-27-33	699
	3 ⁷ / ₈	1329-27-37	755
	4 ¹ / ₈	1329-27-47	867
	5 ¹ / ₈	1329-27-57	979

A	B	ITEM NUMBER	NET WT.
3 ³ / ₈	1 ¹ / ₈	1329-33-13	531
	1 ⁷ / ₈	1329-33-17	587
	2 ¹ / ₈	1329-33-23	643
	2 ⁷ / ₈	1329-33-27	699
	3 ¹ / ₈	1329-33-33	755
	3 ⁷ / ₈	1329-33-37	811
	4 ¹ / ₈	1329-33-47	923
	5 ¹ / ₈	1329-33-57	1034
3 ⁷ / ₈	1 ¹ / ₈	1329-37-13	587
	1 ⁷ / ₈	1329-37-17	643
	2 ¹ / ₈	1329-37-23	699
	2 ⁷ / ₈	1329-37-27	755
	3 ¹ / ₈	1329-37-33	811
	3 ⁷ / ₈	1329-37-37	867
	4 ¹ / ₈	1329-37-47	979
	5 ¹ / ₈	1329-37-57	1090
4 ⁷ / ₈	1 ¹ / ₈	1329-47-13	699
	1 ⁷ / ₈	1329-47-17	755
	2 ¹ / ₈	1329-47-23	811
	2 ⁷ / ₈	1329-47-27	867
	3 ¹ / ₈	1329-47-33	923
	3 ⁷ / ₈	1329-47-37	979
	4 ¹ / ₈	1329-47-47	1090
	5 ¹ / ₈	1329-47-57	1202
5 ⁷ / ₈	1 ¹ / ₈	1329-57-13	811
	1 ⁷ / ₈	1329-57-17	867
	2 ¹ / ₈	1329-57-23	923
	2 ⁷ / ₈	1329-57-27	979
	3 ¹ / ₈	1329-57-33	1034
	3 ⁷ / ₈	1329-57-37	1090
	4 ¹ / ₈	1329-57-47	1202
	5 ¹ / ₈	1329-57-57	1314

A	B	ITEM NUMBER	NET WT.
7 ⁷ / ₈	7 ¹ / ₈	1518-7-7	132
	1 ³ / ₈	1518-7-13	170
	1 ⁷ / ₈	1518-7-17	208
	2 ¹ / ₈	1518-7-23	245
	2 ⁷ / ₈	1518-7-27	283
	3 ¹ / ₈	1518-7-33	321
	3 ⁷ / ₈	1518-7-37	358
	4 ¹ / ₈	1518-7-47	434
1 ³ / ₈	5 ¹ / ₈	1518-7-57	509
	7 ¹ / ₈	1518-13-7	170
	1 ³ / ₈	1518-13-13	208
	1 ⁷ / ₈	1518-13-17	245
	2 ¹ / ₈	1518-13-23	283
	2 ⁷ / ₈	1518-13-27	321
	3 ¹ / ₈	1518-13-33	358
	3 ⁷ / ₈	1518-13-37	396
1 ⁷ / ₈	4 ¹ / ₈	1518-13-47	471
	5 ¹ / ₈	1518-13-57	547
	7 ¹ / ₈	1518-17-7	208
	1 ³ / ₈	1518-17-13	245
	1 ⁷ / ₈	1518-17-17	283
	2 ¹ / ₈	1518-17-23	321
	2 ⁷ / ₈	1518-17-27	358
	3 ¹ / ₈	1518-17-33	396
2 ³ / ₈	3 ⁷ / ₈	1518-17-37	434
	4 ¹ / ₈	1518-17-47	509
	5 ¹ / ₈	1518-17-57	584
	7 ¹ / ₈	1518-23-7	245
	1 ³ / ₈	1518-23-13	283
	1 ⁷ / ₈	1518-23-17	321
	2 ¹ / ₈	1518-23-23	358
	2 ⁷ / ₈	1518-23-27	396
2 ⁷ / ₈	3 ¹ / ₈	1518-23-33	434
	3 ⁷ / ₈	1518-23-37	471
	4 ¹ / ₈	1518-23-47	547
	5 ¹ / ₈	1518-23-57	622

A	B	ITEM NUMBER	NET WT.
2 ⁷ / ₈	7 ¹ / ₈	1518-27-7	283
	1 ³ / ₈	1518-27-13	321
	1 ⁷ / ₈	1518-27-17	358
	2 ¹ / ₈	1518-27-23	396
	2 ⁷ / ₈	1518-27-27	434
	3 ¹ / ₈	1518-27-33	471
	3 ⁷ / ₈	1518-27-37	509
	4 ¹ / ₈	1518-27-47	584
3 ³ / ₈	5 ¹ / ₈	1518-27-57	660
	7 ¹ / ₈	1518-33-7	321
	1 ³ / ₈	1518-33-13	358
	1 ⁷ / ₈	1518-33-17	396
	2 ¹ / ₈	1518-33-23	434
	2 ⁷ / ₈	1518-33-27	471
	3 ¹ / ₈	1518-33-33	509
	3 ⁷ / ₈	1518-33-37	547
3 ⁷ / ₈	4 ¹ / ₈	1518-33-47	622
	5 ¹ / ₈	1518-33-57	697
	7 ¹ / ₈	1518-37-7	358
	1 ³ / ₈	1518-37-13	396
	1 ⁷ / ₈	1518-37-17	434
	2 ¹ / ₈	1518-37-23	471
	2 ⁷ / ₈	1518-37-27	509
	3 ¹ / ₈	1518-37-33	547
4 ⁷ / ₈	3 ⁷ / ₈	1518-37-37	584
	4 ¹ / ₈	1518-37-47	660
	5 ¹ / ₈	1518-37-57	735
	7 ¹ / ₈	1518-47-7	434
	1 ³ / ₈	1518-47-13	471
	1 ⁷ / ₈	1518-47-17	509
	2 ¹ / ₈	1518-47-23	547
	2 ⁷ / ₈	1518-47-27	584
5 ⁷ / ₈	3 ¹ / ₈	1518-47-33	622
	3 ⁷ / ₈	1518-47-37	660
	4 ¹ / ₈	1518-47-47	735
	4 ⁷ / ₈	1518-47-47	735
	5 ¹ / ₈	1518-47-57	810
	7 ¹ / ₈	1518-57-7	509
	1 ³ / ₈	1518-57-13	547
	1 ⁷ / ₈	1518-57-17	584
5 ⁷ / ₈	2 ¹ / ₈	1518-57-23	622
	2 ⁷ / ₈	1518-57-27	660
	3 ¹ / ₈	1518-57-33	697
	3 ⁷ / ₈	1518-57-37	735
	4 ¹ / ₈	1518-57-47	810
	5 ¹ / ₈	1518-57-57	886

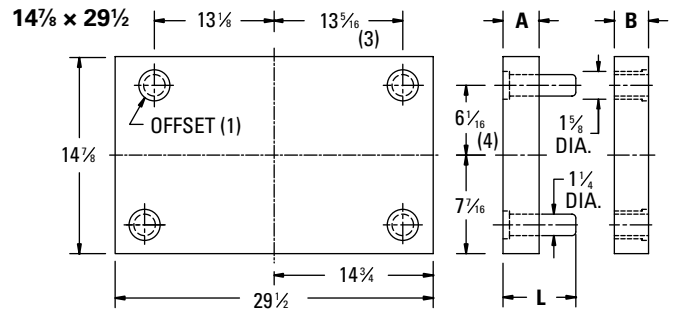
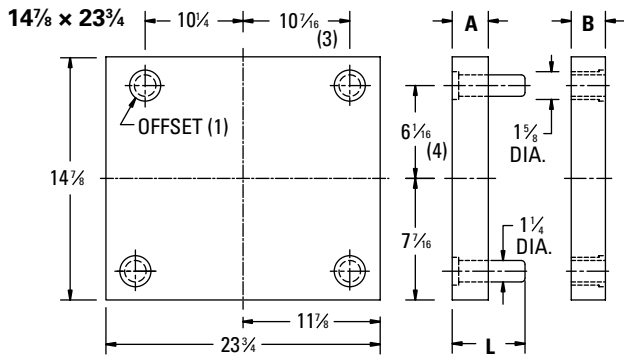
Thickness of each plate is finish ground ± .001". Width and length finished square and parallel.

WHEN ORDERING, PLEASE SPECIFY:

- Quantity & Item Number
- No. 1, No. 2, No. 3 or No. 7 Steel (No. 7 Steel available standard only for plates up to and including 2⁷/₈ thick)
- L Dimension (Guide Pin Length)
- Method of Shipment

Cavity Retainer Sets

14⁷/₈ × 23³/₄ and 14⁷/₈ × 29¹/₂



A	B	ITEM NUMBER	NET WT.
1 ³ / ₈	1 ³ / ₈	1524-13-13	276
	1 ⁷ / ₈	1524-13-17	326
	2 ¹ / ₈	1524-13-23	376
	2 ⁵ / ₈	1524-13-27	426
	3 ¹ / ₈	1524-13-33	476
	3 ⁵ / ₈	1524-13-37	526
	4 ¹ / ₈	1524-13-47	626
	5 ¹ / ₈	1524-13-57	726
1 ⁷ / ₈	1 ³ / ₈	1524-17-13	326
	1 ⁷ / ₈	1524-17-17	376
	2 ¹ / ₈	1524-17-23	426
	2 ⁵ / ₈	1524-17-27	476
	3 ¹ / ₈	1524-17-33	526
	3 ⁵ / ₈	1524-17-37	576
	4 ¹ / ₈	1524-17-47	676
	5 ¹ / ₈	1524-17-57	776
2 ³ / ₈	1 ³ / ₈	1524-23-13	376
	1 ⁷ / ₈	1524-23-17	426
	2 ¹ / ₈	1524-23-23	476
	2 ⁵ / ₈	1524-23-27	526
	3 ¹ / ₈	1524-23-33	576
	3 ⁵ / ₈	1524-23-37	626
	4 ¹ / ₈	1524-23-47	726
	5 ¹ / ₈	1524-23-57	826
2 ⁷ / ₈	1 ³ / ₈	1524-27-13	426
	1 ⁷ / ₈	1524-27-17	476
	2 ¹ / ₈	1524-27-23	526
	2 ⁵ / ₈	1524-27-27	576
	3 ¹ / ₈	1524-27-33	626
	3 ⁵ / ₈	1524-27-37	676
	4 ¹ / ₈	1524-27-47	776
	5 ¹ / ₈	1524-27-57	876

A	B	ITEM NUMBER	NET WT.
3 ³ / ₈	1 ³ / ₈	1524-33-13	476
	1 ⁷ / ₈	1524-33-17	526
	2 ¹ / ₈	1524-33-23	576
	2 ⁵ / ₈	1524-33-27	626
	3 ¹ / ₈	1524-33-33	676
	3 ⁵ / ₈	1524-33-37	726
	4 ¹ / ₈	1524-33-47	826
	5 ¹ / ₈	1524-33-57	926
3 ⁷ / ₈	1 ³ / ₈	1524-37-13	526
	1 ⁷ / ₈	1524-37-17	576
	2 ¹ / ₈	1524-37-23	626
	2 ⁵ / ₈	1524-37-27	676
	3 ¹ / ₈	1524-37-33	726
	3 ⁵ / ₈	1524-37-37	776
	4 ¹ / ₈	1524-37-47	876
	5 ¹ / ₈	1524-37-57	976
4 ⁷ / ₈	1 ³ / ₈	1524-47-13	626
	1 ⁷ / ₈	1524-47-17	676
	2 ¹ / ₈	1524-47-23	726
	2 ⁵ / ₈	1524-47-27	776
	3 ¹ / ₈	1524-47-33	826
	3 ⁵ / ₈	1524-47-37	876
	4 ¹ / ₈	1524-47-47	976
	5 ¹ / ₈	1524-47-57	1076
5 ⁷ / ₈	1 ³ / ₈	1524-57-13	726
	1 ⁷ / ₈	1524-57-17	776
	2 ¹ / ₈	1524-57-23	826
	2 ⁵ / ₈	1524-57-27	876
	3 ¹ / ₈	1524-57-33	926
	3 ⁵ / ₈	1524-57-37	976
	4 ¹ / ₈	1524-57-47	1076
	5 ¹ / ₈	1524-57-57	1176

A	B	ITEM NUMBER	NET WT.
1 ³ / ₈	1 ³ / ₈	1529-13-13	342
	1 ⁷ / ₈	1529-13-17	405
	2 ¹ / ₈	1529-13-23	467
	2 ⁵ / ₈	1529-13-27	529
	3 ¹ / ₈	1529-13-33	591
	3 ⁵ / ₈	1529-13-37	653
	4 ¹ / ₈	1529-13-47	777
	5 ¹ / ₈	1529-13-57	902
1 ⁷ / ₈	1 ³ / ₈	1529-17-13	405
	1 ⁷ / ₈	1529-17-17	467
	2 ¹ / ₈	1529-17-23	529
	2 ⁵ / ₈	1529-17-27	591
	3 ¹ / ₈	1529-17-33	653
	3 ⁵ / ₈	1529-17-37	715
	4 ¹ / ₈	1529-17-47	840
	5 ¹ / ₈	1529-17-57	964
2 ³ / ₈	1 ³ / ₈	1529-23-13	467
	1 ⁷ / ₈	1529-23-17	529
	2 ¹ / ₈	1529-23-23	591
	2 ⁵ / ₈	1529-23-27	653
	3 ¹ / ₈	1529-23-33	715
	3 ⁵ / ₈	1529-23-37	777
	4 ¹ / ₈	1529-23-47	902
	5 ¹ / ₈	1529-23-57	1026
2 ⁷ / ₈	1 ³ / ₈	1529-27-13	529
	1 ⁷ / ₈	1529-27-17	591
	2 ¹ / ₈	1529-27-23	653
	2 ⁵ / ₈	1529-27-27	715
	3 ¹ / ₈	1529-27-33	777
	3 ⁵ / ₈	1529-27-37	840
	4 ¹ / ₈	1529-27-47	964
	5 ¹ / ₈	1529-27-57	1088

A	B	ITEM NUMBER	NET WT.
3 ³ / ₈	1 ³ / ₈	1529-33-13	591
	1 ⁷ / ₈	1529-33-17	653
	2 ¹ / ₈	1529-33-23	715
	2 ⁵ / ₈	1529-33-27	777
	3 ¹ / ₈	1529-33-33	840
	3 ⁵ / ₈	1529-33-37	902
	4 ¹ / ₈	1529-33-47	1026
	5 ¹ / ₈	1529-33-57	1150
3 ⁷ / ₈	1 ³ / ₈	1529-37-13	653
	1 ⁷ / ₈	1529-37-17	715
	2 ¹ / ₈	1529-37-23	777
	2 ⁵ / ₈	1529-37-27	840
	3 ¹ / ₈	1529-37-33	902
	3 ⁵ / ₈	1529-37-37	964
	4 ¹ / ₈	1529-37-47	1088
	5 ¹ / ₈	1529-37-57	1213
4 ⁷ / ₈	1 ³ / ₈	1529-47-13	777
	1 ⁷ / ₈	1529-47-17	840
	2 ¹ / ₈	1529-47-23	902
	2 ⁵ / ₈	1529-47-27	964
	3 ¹ / ₈	1529-47-33	1026
	3 ⁵ / ₈	1529-47-37	1088
	4 ¹ / ₈	1529-47-47	1213
	5 ¹ / ₈	1529-47-57	1337
5 ⁷ / ₈	1 ³ / ₈	1529-57-13	902
	1 ⁷ / ₈	1529-57-17	964
	2 ¹ / ₈	1529-57-23	1026
	2 ⁵ / ₈	1529-57-27	1088
	3 ¹ / ₈	1529-57-33	1150
	3 ⁵ / ₈	1529-57-37	1213
	4 ¹ / ₈	1529-57-47	1337
	5 ¹ / ₈	1529-57-57	1461

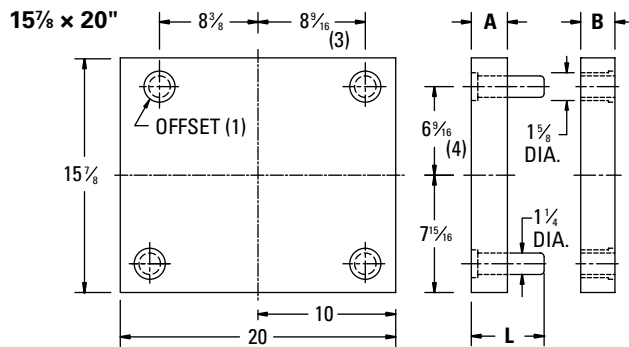
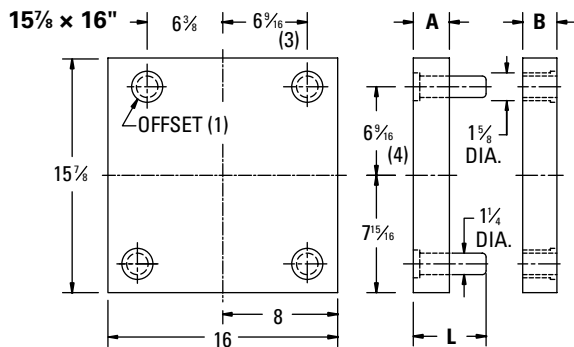
Thickness of each plate is finish ground ± .001". Width and length finished square and parallel.

WHEN ORDERING, PLEASE SPECIFY:

- Quantity & Item Number
- No. 1, No. 2, No. 3 or No. 7 Steel
(No. 7 Steel available standard only for plates up to and including 2% thick)
- L Dimension (Guide Pin Length)
- Method of Shipment

Cavity Retainer Sets

15 7/8" x 16" and 15 7/8" x 20"



Cavity Retainer Sets | Cavity Retainer Sets 15 7/8" x 16" and 15 7/8" x 20"

A	B	ITEM NUMBER	NET WT.
7/8	7/8	1616-7-7	126
	1 1/8	1616-7-13	162
	1 1/8	1616-7-17	198
	2 1/8	1616-7-23	234
	2 1/8	1616-7-27	270
	3 1/8	1616-7-33	306
	3 1/8	1616-7-37	342
	4 1/8	1616-7-47	414
	5 1/8	1616-7-57	486
1 3/8	7/8	1616-13-7	162
	1 1/8	1616-13-13	198
	1 1/8	1616-13-17	234
	2 1/8	1616-13-23	270
	2 1/8	1616-13-27	306
	3 1/8	1616-13-33	342
	3 1/8	1616-13-37	378
	4 1/8	1616-13-47	450
	5 1/8	1616-13-57	522
1 7/8	7/8	1616-17-7	198
	1 1/8	1616-17-13	234
	1 1/8	1616-17-17	270
	2 1/8	1616-17-23	306
	2 1/8	1616-17-27	342
	3 1/8	1616-17-33	378
	3 1/8	1616-17-37	414
	4 1/8	1616-17-47	486
	5 1/8	1616-17-57	558
2 3/8	7/8	1616-23-7	234
	1 1/8	1616-23-13	270
	1 1/8	1616-23-17	306
	2 1/8	1616-23-23	342
	2 1/8	1616-23-27	378
	3 1/8	1616-23-33	414
	3 1/8	1616-23-37	450
	4 1/8	1616-23-47	522
	5 1/8	1616-23-57	594
2 7/8	7/8	1616-27-7	270
	1 1/8	1616-27-13	306
	1 1/8	1616-27-17	342
	2 1/8	1616-27-23	378
	2 1/8	1616-27-27	414
	3 1/8	1616-27-33	450
	3 1/8	1616-27-37	486
	4 1/8	1616-27-47	558
	5 1/8	1616-27-57	630

A	B	ITEM NUMBER	NET WT.
3 3/8	7/8	1616-33-7	306
	1 1/8	1616-33-13	342
	1 1/8	1616-33-17	378
	2 1/8	1616-33-23	414
	2 1/8	1616-33-27	450
	3 1/8	1616-33-33	486
	3 1/8	1616-33-37	522
	4 1/8	1616-33-47	594
	5 1/8	1616-33-57	666
3 7/8	7/8	1616-37-7	342
	1 1/8	1616-37-13	378
	1 1/8	1616-37-17	414
	2 1/8	1616-37-23	450
	2 1/8	1616-37-27	486
	3 1/8	1616-37-33	522
	3 1/8	1616-37-37	558
	4 1/8	1616-37-47	630
	5 1/8	1616-37-57	702
4 7/8	7/8	1616-47-7	414
	1 1/8	1616-47-13	450
	1 1/8	1616-47-17	486
	2 1/8	1616-47-23	522
	2 1/8	1616-47-27	558
	3 1/8	1616-47-33	594
	3 1/8	1616-47-37	630
	4 1/8	1616-47-47	702
	5 1/8	1616-47-57	774
5 7/8	7/8	1616-57-7	486
	1 1/8	1616-57-13	522
	1 1/8	1616-57-17	558
	2 1/8	1616-57-23	594
	2 1/8	1616-57-27	630
	3 1/8	1616-57-33	666
	3 1/8	1616-57-37	702
	4 1/8	1616-57-47	774
	5 1/8	1616-57-57	846

A	B	ITEM NUMBER	NET WT.
7/8	7/8	1620-7-7	158
	1 1/8	1620-7-13	203
	1 1/8	1620-7-17	248
	2 1/8	1620-7-23	293
	2 1/8	1620-7-27	338
	3 1/8	1620-7-33	383
	3 1/8	1620-7-37	428
	4 1/8	1620-7-47	518
	5 1/8	1620-7-57	608
1 3/8	7/8	1620-13-7	203
	1 1/8	1620-13-13	248
	1 1/8	1620-13-17	293
	2 1/8	1620-13-23	338
	2 1/8	1620-13-27	383
	3 1/8	1620-13-33	428
	3 1/8	1620-13-37	473
	4 1/8	1620-13-47	563
	5 1/8	1620-13-57	653
1 7/8	7/8	1620-17-7	248
	1 1/8	1620-17-13	293
	1 1/8	1620-17-17	338
	2 1/8	1620-17-23	383
	2 1/8	1620-17-27	428
	3 1/8	1620-17-33	473
	3 1/8	1620-17-37	518
	4 1/8	1620-17-47	608
	5 1/8	1620-17-57	698
2 3/8	7/8	1620-23-7	293
	1 1/8	1620-23-13	338
	1 1/8	1620-23-17	383
	2 1/8	1620-23-23	428
	2 1/8	1620-23-27	473
	3 1/8	1620-23-33	518
	3 1/8	1620-23-37	563
	4 1/8	1620-23-47	653
	5 1/8	1620-23-57	743

A	B	ITEM NUMBER	NET WT.
2 7/8	7/8	1620-27-7	338
	1 1/8	1620-27-13	383
	1 1/8	1620-27-17	428
	2 1/8	1620-27-23	473
	2 1/8	1620-27-27	518
	3 1/8	1620-27-33	563
	3 1/8	1620-27-37	608
	4 1/8	1620-27-47	698
	5 1/8	1620-27-57	787
3 3/8	7/8	1620-33-7	383
	1 1/8	1620-33-13	428
	1 1/8	1620-33-17	473
	2 1/8	1620-33-23	518
	2 1/8	1620-33-27	563
	3 1/8	1620-33-33	608
	3 1/8	1620-33-37	653
	4 1/8	1620-33-47	743
	5 1/8	1620-33-57	832
3 7/8	7/8	1620-37-7	428
	1 1/8	1620-37-13	473
	1 1/8	1620-37-17	518
	2 1/8	1620-37-23	563
	2 1/8	1620-37-27	608
	3 1/8	1620-37-33	653
	3 1/8	1620-37-37	698
	4 1/8	1620-37-47	787
	5 1/8	1620-37-57	877
4 7/8	7/8	1620-47-7	518
	1 1/8	1620-47-13	563
	1 1/8	1620-47-17	608
	2 1/8	1620-47-23	653
	2 1/8	1620-47-27	698
	3 1/8	1620-47-33	743
	3 1/8	1620-47-37	787
	4 1/8	1620-47-47	877
	5 1/8	1620-47-57	967
5 7/8	7/8	1620-57-7	608
	1 1/8	1620-57-13	653
	1 1/8	1620-57-17	698
	2 1/8	1620-57-23	743
	2 1/8	1620-57-27	787
	3 1/8	1620-57-33	832
	3 1/8	1620-57-37	877
	4 1/8	1620-57-47	967
	5 1/8	1620-57-57	1057

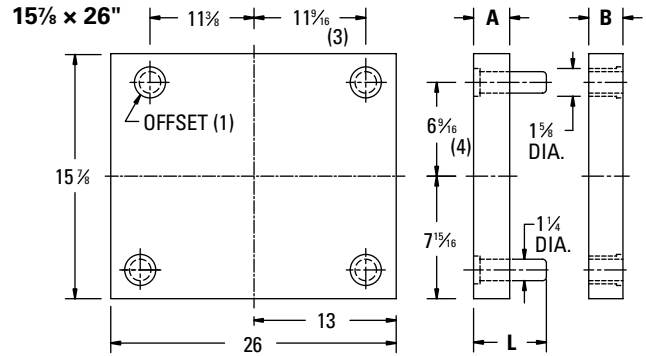
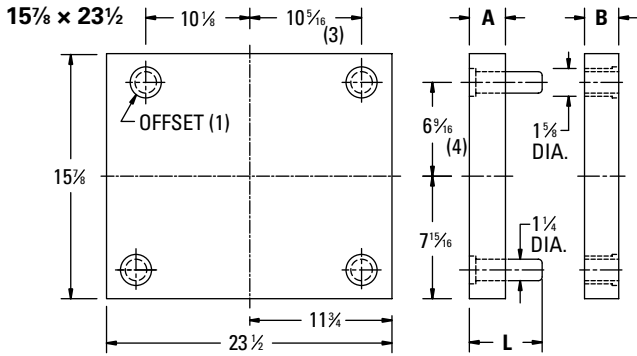
Thickness of each plate is finish ground ± .001". Width and length finished square and parallel.

WHEN ORDERING, PLEASE SPECIFY:

- Quantity & Item Number
- No. 1, No. 2, No. 3 or No. 7 Steel (No. 7 Steel available standard only for plates up to and including 2% thick)
- L Dimension (Guide Pin Length)
- Method of Shipment

Cavity Retainer Sets

15⁷/₈ × 23¹/₂ and 15⁷/₈ × 26"



A	B	ITEM NUMBER	NET WT.
1 ³ / ₈	1 ¹ / ₈	1623-13-13	291
	1 ¹ / ₈	1623-13-17	344
	2 ³ / ₈	1623-13-23	397
	2 ⁷ / ₈	1623-13-27	450
	3 ³ / ₈	1623-13-33	503
	3 ⁷ / ₈	1623-13-37	555
	4 ³ / ₈	1623-13-47	661
	5 ³ / ₈	1623-13-57	767
1 ⁷ / ₈	1 ¹ / ₈	1623-17-13	344
	1 ¹ / ₈	1623-17-17	397
	2 ³ / ₈	1623-17-23	450
	2 ⁷ / ₈	1623-17-27	502
	3 ³ / ₈	1623-17-33	555
	3 ⁷ / ₈	1623-17-37	608
	4 ³ / ₈	1623-17-47	714
	5 ³ / ₈	1623-17-57	820
2 ³ / ₈	1 ¹ / ₈	1623-23-13	397
	1 ¹ / ₈	1623-23-17	450
	2 ³ / ₈	1623-23-23	502
	2 ⁷ / ₈	1623-23-27	555
	3 ³ / ₈	1623-23-33	608
	3 ⁷ / ₈	1623-23-37	661
	4 ³ / ₈	1623-23-47	767
	5 ³ / ₈	1623-23-57	872
2 ⁷ / ₈	1 ¹ / ₈	1623-27-13	450
	1 ¹ / ₈	1623-27-17	502
	2 ³ / ₈	1623-27-23	555
	2 ⁷ / ₈	1623-27-27	608
	3 ³ / ₈	1623-27-33	661
	3 ⁷ / ₈	1623-27-37	714
	4 ³ / ₈	1623-27-47	820
	5 ³ / ₈	1623-27-57	925

A	B	ITEM NUMBER	NET WT.
3 ³ / ₈	1 ¹ / ₈	1623-33-13	502
	1 ¹ / ₈	1623-33-17	555
	2 ³ / ₈	1623-33-23	608
	2 ⁷ / ₈	1623-33-27	661
	3 ³ / ₈	1623-33-33	714
	3 ⁷ / ₈	1623-33-37	767
	4 ³ / ₈	1623-33-47	872
	5 ³ / ₈	1623-33-57	978
3 ⁷ / ₈	1 ¹ / ₈	1623-37-13	555
	1 ¹ / ₈	1623-37-17	608
	2 ³ / ₈	1623-37-23	661
	2 ⁷ / ₈	1623-37-27	714
	3 ³ / ₈	1623-37-33	767
	3 ⁷ / ₈	1623-37-37	820
	4 ³ / ₈	1623-37-47	925
	5 ³ / ₈	1623-37-57	1031
4 ⁷ / ₈	1 ¹ / ₈	1623-47-13	661
	1 ¹ / ₈	1623-47-17	714
	2 ³ / ₈	1623-47-23	767
	2 ⁷ / ₈	1623-47-27	820
	3 ³ / ₈	1623-47-33	872
	3 ⁷ / ₈	1623-47-37	925
	4 ³ / ₈	1623-47-47	1031
	5 ³ / ₈	1623-47-57	1137
5 ⁷ / ₈	1 ¹ / ₈	1623-57-13	767
	1 ¹ / ₈	1623-57-17	820
	2 ³ / ₈	1623-57-23	872
	2 ⁷ / ₈	1623-57-27	925
	3 ³ / ₈	1623-57-33	978
	3 ⁷ / ₈	1623-57-37	1031
	4 ³ / ₈	1623-57-47	1137
	5 ³ / ₈	1623-57-57	1242

A	B	ITEM NUMBER	NET WT.
1 ³ / ₈	1 ¹ / ₈	1626-13-13	322
	1 ¹ / ₈	1626-13-17	381
	2 ³ / ₈	1626-13-23	439
	2 ⁷ / ₈	1626-13-27	497
	3 ³ / ₈	1626-13-33	556
	3 ⁷ / ₈	1626-13-37	614
	4 ³ / ₈	1626-13-47	731
	5 ³ / ₈	1626-13-57	848
1 ⁷ / ₈	1 ¹ / ₈	1626-17-13	381
	1 ¹ / ₈	1626-17-17	439
	2 ³ / ₈	1626-17-23	497
	2 ⁷ / ₈	1626-17-27	556
	3 ³ / ₈	1626-17-33	614
	3 ⁷ / ₈	1626-17-37	673
	4 ³ / ₈	1626-17-47	790
	5 ³ / ₈	1626-17-57	907
2 ³ / ₈	1 ¹ / ₈	1626-23-13	439
	1 ¹ / ₈	1626-23-17	497
	2 ³ / ₈	1626-23-23	556
	2 ⁷ / ₈	1626-23-27	614
	3 ³ / ₈	1626-23-33	673
	3 ⁷ / ₈	1626-23-37	731
	4 ³ / ₈	1626-23-47	848
	5 ³ / ₈	1626-23-57	965
2 ⁷ / ₈	1 ¹ / ₈	1626-27-13	497
	1 ¹ / ₈	1626-27-17	556
	2 ³ / ₈	1626-27-23	614
	2 ⁷ / ₈	1626-27-27	673
	3 ³ / ₈	1626-27-33	731
	3 ⁷ / ₈	1626-27-37	790
	4 ³ / ₈	1626-27-47	907
	5 ³ / ₈	1626-27-57	1024

A	B	ITEM NUMBER	NET WT.
3 ³ / ₈	1 ¹ / ₈	1626-33-13	556
	1 ¹ / ₈	1626-33-17	614
	2 ³ / ₈	1626-33-23	673
	2 ⁷ / ₈	1626-33-27	731
	3 ³ / ₈	1626-33-33	790
	3 ⁷ / ₈	1626-33-37	848
	4 ³ / ₈	1626-33-47	965
	5 ³ / ₈	1626-33-57	1082
3 ⁷ / ₈	1 ¹ / ₈	1626-37-13	614
	1 ¹ / ₈	1626-37-17	673
	2 ³ / ₈	1626-37-23	731
	2 ⁷ / ₈	1626-37-27	790
	3 ³ / ₈	1626-37-33	848
	3 ⁷ / ₈	1626-37-37	907
	4 ³ / ₈	1626-37-47	1024
	5 ³ / ₈	1626-37-57	1141
4 ⁷ / ₈	1 ¹ / ₈	1626-47-13	731
	1 ¹ / ₈	1626-47-17	790
	2 ³ / ₈	1626-47-23	848
	2 ⁷ / ₈	1626-47-27	907
	3 ³ / ₈	1626-47-33	965
	3 ⁷ / ₈	1626-47-37	1024
	4 ³ / ₈	1626-47-47	1141
	5 ³ / ₈	1626-47-57	1258
5 ⁷ / ₈	1 ¹ / ₈	1626-57-13	848
	1 ¹ / ₈	1626-57-17	907
	2 ³ / ₈	1626-57-23	965
	2 ⁷ / ₈	1626-57-27	1024
	3 ³ / ₈	1626-57-33	1082
	3 ⁷ / ₈	1626-57-37	1141
	4 ³ / ₈	1626-57-47	1258
	5 ³ / ₈	1626-57-57	1375

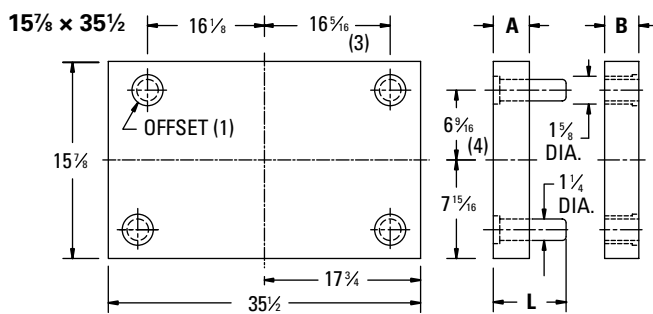
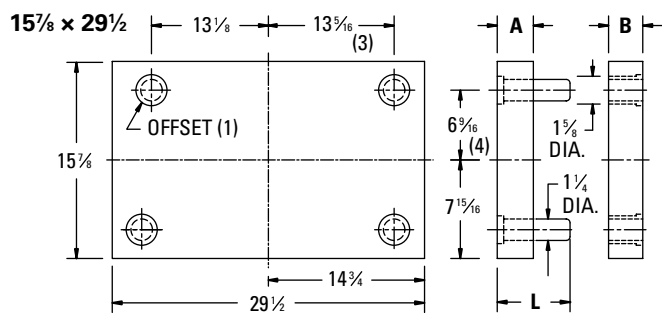
Thickness of each plate is finish ground ± .001". Width and length finished square and parallel.

WHEN ORDERING, PLEASE SPECIFY:

- Quantity & Item Number
- No. 1, No. 2, No. 3 or No. 7 Steel (No. 7 Steel available standard only for plates up to and including 2⁷/₈ thick)
- L Dimension (Guide Pin Length)
- Method of Shipment

Cavity Retainer Sets

15⁷/₈ × 29¹/₂ and 15⁷/₈ × 35¹/₂



A	B	ITEM NUMBER	NET WT.
1 ³ / ₈	1 ¹ / ₈	1629-13-13	365
	1 ¹ / ₈	1629-13-17	432
	2 ³ / ₈	1629-13-23	498
	2 ⁷ / ₈	1629-13-27	564
	3 ³ / ₈	1629-13-33	631
	3 ⁷ / ₈	1629-13-37	697
	4 ⁷ / ₈	1629-13-47	830
	5 ⁷ / ₈	1629-13-57	962
1 ⁷ / ₈	1 ¹ / ₈	1629-17-13	432
	1 ¹ / ₈	1629-17-17	498
	2 ³ / ₈	1629-17-23	564
	2 ⁷ / ₈	1629-17-27	631
	3 ³ / ₈	1629-17-33	697
	3 ⁷ / ₈	1629-17-37	763
	4 ⁷ / ₈	1629-17-47	896
	5 ⁷ / ₈	1629-17-57	1029
2 ³ / ₈	1 ¹ / ₈	1629-23-13	498
	1 ¹ / ₈	1629-23-17	564
	2 ³ / ₈	1629-23-23	631
	2 ⁷ / ₈	1629-23-27	697
	3 ³ / ₈	1629-23-33	763
	3 ⁷ / ₈	1629-23-37	830
	4 ⁷ / ₈	1629-23-47	962
	5 ⁷ / ₈	1629-23-57	1095
2 ⁷ / ₈	1 ¹ / ₈	1629-27-13	564
	1 ¹ / ₈	1629-27-17	631
	2 ³ / ₈	1629-27-23	697
	2 ⁷ / ₈	1629-27-27	763
	3 ³ / ₈	1629-27-33	830
	3 ⁷ / ₈	1629-27-37	896
	4 ⁷ / ₈	1629-27-47	1029
	5 ⁷ / ₈	1629-27-57	1161

A	B	ITEM NUMBER	NET WT.
3 ³ / ₈	1 ¹ / ₈	1629-33-13	631
	1 ⁷ / ₈	1629-33-17	697
	2 ³ / ₈	1629-33-23	763
	2 ⁷ / ₈	1629-33-27	830
	3 ³ / ₈	1629-33-33	896
	3 ⁷ / ₈	1629-33-37	962
	4 ⁷ / ₈	1629-33-47	1095
	5 ⁷ / ₈	1629-33-57	1228
3 ⁷ / ₈	1 ¹ / ₈	1629-37-13	697
	1 ⁷ / ₈	1629-37-17	763
	2 ³ / ₈	1629-37-23	830
	2 ⁷ / ₈	1629-37-27	896
	3 ³ / ₈	1629-37-33	962
	3 ⁷ / ₈	1629-37-37	1029
	4 ⁷ / ₈	1629-37-47	1161
	5 ⁷ / ₈	1629-37-57	1294
4 ⁷ / ₈	1 ¹ / ₈	1629-47-13	830
	1 ⁷ / ₈	1629-47-17	896
	2 ³ / ₈	1629-47-23	962
	2 ⁷ / ₈	1629-47-27	1029
	3 ³ / ₈	1629-47-33	1095
	3 ⁷ / ₈	1629-47-37	1161
	4 ⁷ / ₈	1629-47-47	1294
	5 ⁷ / ₈	1629-47-57	1427
5 ⁷ / ₈	1 ¹ / ₈	1629-57-13	962
	1 ⁷ / ₈	1629-57-17	1029
	2 ³ / ₈	1629-57-23	1095
	2 ⁷ / ₈	1629-57-27	1161
	3 ³ / ₈	1629-57-33	1228
	3 ⁷ / ₈	1629-57-37	1294
	4 ⁷ / ₈	1629-57-47	1427
	5 ⁷ / ₈	1629-57-57	1559

A	B	ITEM NUMBER	NET WT.
1 ³ / ₈	1 ¹ / ₈	1635-13-13	440
	1 ⁷ / ₈	1635-13-17	519
	2 ³ / ₈	1635-13-23	599
	2 ⁷ / ₈	1635-13-27	679
	3 ³ / ₈	1635-13-33	759
	3 ⁷ / ₈	1635-13-37	839
	4 ⁷ / ₈	1635-13-47	998
	5 ⁷ / ₈	1635-13-57	1158
1 ⁷ / ₈	1 ¹ / ₈	1635-17-13	519
	1 ⁷ / ₈	1635-17-17	599
	2 ³ / ₈	1635-17-23	679
	2 ⁷ / ₈	1635-17-27	759
	3 ³ / ₈	1635-17-33	839
	3 ⁷ / ₈	1635-17-37	919
	4 ⁷ / ₈	1635-17-47	1078
	5 ⁷ / ₈	1635-17-57	1238
2 ³ / ₈	1 ¹ / ₈	1635-23-13	599
	1 ⁷ / ₈	1635-23-17	679
	2 ³ / ₈	1635-23-23	759
	2 ⁷ / ₈	1635-23-27	839
	3 ³ / ₈	1635-23-33	919
	3 ⁷ / ₈	1635-23-37	998
	4 ⁷ / ₈	1635-23-47	1158
	5 ⁷ / ₈	1635-23-57	1318
2 ⁷ / ₈	1 ¹ / ₈	1635-27-13	679
	1 ⁷ / ₈	1635-27-17	759
	2 ³ / ₈	1635-27-23	839
	2 ⁷ / ₈	1635-27-27	919
	3 ³ / ₈	1635-27-33	998
	3 ⁷ / ₈	1635-27-37	1078
	4 ⁷ / ₈	1635-27-47	1238
	5 ⁷ / ₈	1635-27-57	1398

A	B	ITEM NUMBER	NET WT.
3 ³ / ₈	1 ¹ / ₈	1635-33-13	759
	1 ⁷ / ₈	1635-33-17	839
	2 ³ / ₈	1635-33-23	919
	2 ⁷ / ₈	1635-33-27	998
	3 ³ / ₈	1635-33-33	1078
	3 ⁷ / ₈	1635-33-37	1158
	4 ⁷ / ₈	1635-33-47	1318
	5 ⁷ / ₈	1635-33-57	1477
3 ⁷ / ₈	1 ¹ / ₈	1635-37-13	839
	1 ⁷ / ₈	1635-37-17	919
	2 ³ / ₈	1635-37-23	998
	2 ⁷ / ₈	1635-37-27	1078
	3 ³ / ₈	1635-37-33	1158
	3 ⁷ / ₈	1635-37-37	1238
	4 ⁷ / ₈	1635-37-47	1398
	5 ⁷ / ₈	1635-37-57	1557
4 ⁷ / ₈	1 ¹ / ₈	1635-47-13	998
	1 ⁷ / ₈	1635-47-17	1078
	2 ³ / ₈	1635-47-23	1158
	2 ⁷ / ₈	1635-47-27	1238
	3 ³ / ₈	1635-47-33	1318
	3 ⁷ / ₈	1635-47-37	1398
	4 ⁷ / ₈	1635-47-47	1557
	5 ⁷ / ₈	1635-47-57	1717
5 ⁷ / ₈	1 ¹ / ₈	1635-57-13	1158
	1 ⁷ / ₈	1635-57-17	1238
	2 ³ / ₈	1635-57-23	1318
	2 ⁷ / ₈	1635-57-27	1398
	3 ³ / ₈	1635-57-33	1477
	3 ⁷ / ₈	1635-57-37	1557
	4 ⁷ / ₈	1635-57-47	1717
	5 ⁷ / ₈	1635-57-57	1877

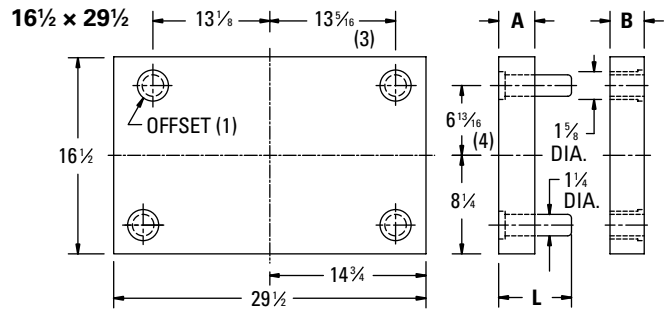
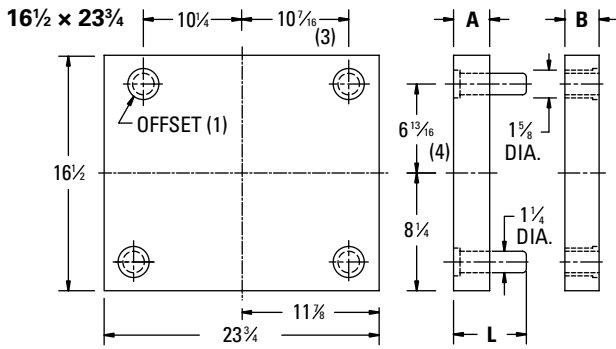
Thickness of each plate is finish ground ± .001". Width and length finished square and parallel.

WHEN ORDERING, PLEASE SPECIFY:

- Quantity & Item Number
- No. 1, No. 2, No. 3 or No. 7 Steel (No. 7 Steel available standard only for plates up to and including 2⁷/₈ thick)
- L Dimension (Guide Pin Length)
- Method of Shipment

Cavity Retainer Sets

16½ × 23¾ and 16½ × 29½



A	B	ITEM NUMBER	NET WT.
1⅜	1⅝	1724-13-13	306
	1⅞	1724-13-17	361
	2⅝	1724-13-23	417
	2⅞	1724-13-27	472
	3⅝	1724-13-33	528
	3⅞	1724-13-37	583
	4⅝	1724-13-47	694
	5⅝	1724-13-57	805
1⅞	1⅝	1724-17-13	361
	1⅞	1724-17-17	417
	2⅝	1724-17-23	472
	2⅞	1724-17-27	528
	3⅝	1724-17-33	583
	3⅞	1724-17-37	639
	4⅝	1724-17-47	750
	5⅝	1724-17-57	861
2⅜	1⅝	1724-23-13	417
	1⅞	1724-23-17	472
	2⅝	1724-23-23	528
	2⅞	1724-23-27	583
	3⅝	1724-23-33	639
	3⅞	1724-23-37	694
	4⅝	1724-23-47	805
	5⅝	1724-23-57	916
2⅞	1⅝	1724-27-13	472
	1⅞	1724-27-17	528
	2⅝	1724-27-23	583
	2⅞	1724-27-27	639
	3⅝	1724-27-33	694
	3⅞	1724-27-37	750
	4⅝	1724-27-47	861
	5⅝	1724-27-57	972

A	B	ITEM NUMBER	NET WT.
3⅜	1⅝	1724-33-13	528
	1⅞	1724-33-17	583
	2⅝	1724-33-23	639
	2⅞	1724-33-27	694
	3⅝	1724-33-33	750
	3⅞	1724-33-37	805
	4⅝	1724-33-47	916
	5⅝	1724-33-57	1027
3⅞	1⅝	1724-37-13	583
	1⅞	1724-37-17	639
	2⅝	1724-37-23	694
	2⅞	1724-37-27	750
	3⅝	1724-37-33	805
	3⅞	1724-37-37	861
	4⅝	1724-37-47	972
	5⅝	1724-37-57	1083
4⅞	1⅝	1724-47-13	694
	1⅞	1724-47-17	750
	2⅝	1724-47-23	805
	2⅞	1724-47-27	861
	3⅝	1724-47-33	916
	3⅞	1724-47-37	972
	4⅝	1724-47-47	1083
	5⅝	1724-47-57	1194
5⅞	1⅝	1724-57-13	805
	1⅞	1724-57-17	861
	2⅝	1724-57-23	916
	2⅞	1724-57-27	972
	3⅝	1724-57-33	1027
	3⅞	1724-57-37	1083
	4⅝	1724-57-47	1194
	5⅝	1724-57-57	1305

A	B	ITEM NUMBER	NET WT.
1⅜	1⅝	1729-13-13	380
	1⅞	1729-13-17	449
	2⅝	1729-13-23	518
	2⅞	1729-13-27	587
	3⅝	1729-13-33	656
	3⅞	1729-13-37	724
	4⅝	1729-13-47	862
	5⅝	1729-13-57	1000
1⅞	1⅝	1729-17-13	449
	1⅞	1729-17-17	518
	2⅝	1729-17-23	587
	2⅞	1729-17-27	656
	3⅝	1729-17-33	724
	3⅞	1729-17-37	793
	4⅝	1729-17-47	931
	5⅝	1729-17-57	1069
2⅜	1⅝	1729-23-13	518
	1⅞	1729-23-17	587
	2⅝	1729-23-23	656
	2⅞	1729-23-27	724
	3⅝	1729-23-33	793
	3⅞	1729-23-37	862
	4⅝	1729-23-47	1000
	5⅝	1729-23-57	1138
2⅞	1⅝	1729-27-13	587
	1⅞	1729-27-17	656
	2⅝	1729-27-23	724
	2⅞	1729-27-27	793
	3⅝	1729-27-33	862
	3⅞	1729-27-37	931
	4⅝	1729-27-47	1069
	5⅝	1729-27-57	1207

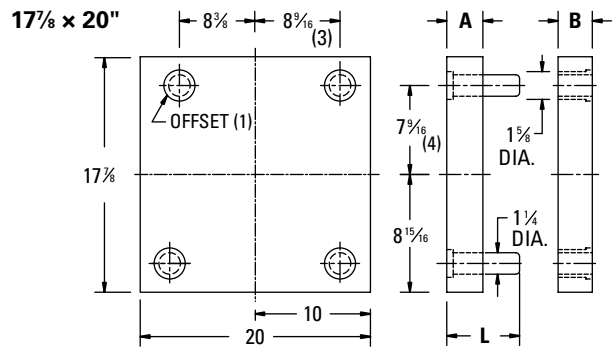
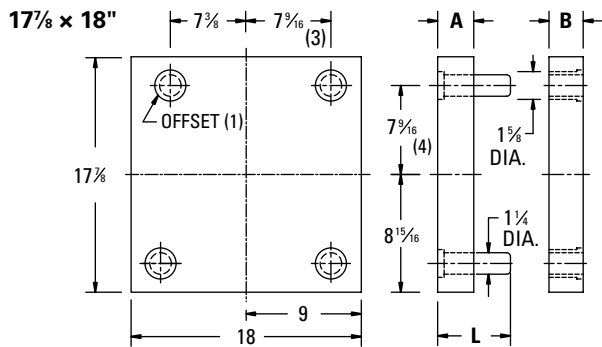
A	B	ITEM NUMBER	NET WT.
3⅜	1⅝	1729-33-13	656
	1⅞	1729-33-17	724
	2⅝	1729-33-23	793
	2⅞	1729-33-27	862
	3⅝	1729-33-33	931
	3⅞	1729-33-37	1000
	4⅝	1729-33-47	1138
	5⅝	1729-33-57	1276
3⅞	1⅝	1729-37-13	724
	1⅞	1729-37-17	793
	2⅝	1729-37-23	862
	2⅞	1729-37-27	931
	3⅝	1729-37-33	1000
	3⅞	1729-37-37	1069
	4⅝	1729-37-47	1207
	5⅝	1729-37-57	1345
4⅞	1⅝	1729-47-13	862
	1⅞	1729-47-17	931
	2⅝	1729-47-23	1000
	2⅞	1729-47-27	1069
	3⅝	1729-47-33	1138
	3⅞	1729-47-37	1207
	4⅝	1729-47-47	1345
	5⅝	1729-47-57	1483
5⅞	1⅝	1729-57-13	1000
	1⅞	1729-57-17	1069
	2⅝	1729-57-23	1138
	2⅞	1729-57-27	1207
	3⅝	1729-57-33	1276
	3⅞	1729-57-37	1345
	4⅝	1729-57-47	1483
	5⅝	1729-57-57	1621

Thickness of each plate is finish ground ± .001". Width and length finished square and parallel.

WHEN ORDERING, PLEASE SPECIFY:

- Quantity & Item Number
- No. 1, No. 2, No. 3 or No. 7 Steel (No. 7 Steel available standard only for plates up to and including 2⅞ thick)
- L Dimension (Guide Pin Length)
- Method of Shipment

Cavity Retainer Sets 17⁷/₈ × 18" and 17⁷/₈ × 20"



A	B	ITEM NUMBER	NET WT.
1 ³ / ₈	1 ³ / ₈	1818-13-13	251
	1 ⁷ / ₈	1818-13-17	297
	2 ³ / ₈	1818-13-23	342
	2 ⁷ / ₈	1818-13-27	388
	3 ³ / ₈	1818-13-33	434
	3 ⁷ / ₈	1818-13-37	479
	4 ³ / ₈	1818-13-47	570
	5 ³ / ₈	1818-13-57	661
1 ⁷ / ₈	1 ³ / ₈	1818-17-13	297
	1 ⁷ / ₈	1818-17-17	342
	2 ³ / ₈	1818-17-23	388
	2 ⁷ / ₈	1818-17-27	434
	3 ³ / ₈	1818-17-33	479
	3 ⁷ / ₈	1818-17-37	525
	4 ³ / ₈	1818-17-47	616
	5 ³ / ₈	1818-17-57	707
2 ³ / ₈	1 ³ / ₈	1818-23-13	342
	1 ⁷ / ₈	1818-23-17	388
	2 ³ / ₈	1818-23-23	434
	2 ⁷ / ₈	1818-23-27	479
	3 ³ / ₈	1818-23-33	525
	3 ⁷ / ₈	1818-23-37	570
	4 ³ / ₈	1818-23-47	661
	5 ³ / ₈	1818-23-57	753
2 ⁷ / ₈	1 ³ / ₈	1818-27-13	388
	1 ⁷ / ₈	1818-27-17	434
	2 ³ / ₈	1818-27-23	479
	2 ⁷ / ₈	1818-27-27	525
	3 ³ / ₈	1818-27-33	570
	3 ⁷ / ₈	1818-27-37	616
	4 ³ / ₈	1818-27-47	707
	5 ³ / ₈	1818-27-57	798

A	B	ITEM NUMBER	NET WT.
3 ³ / ₈	1 ³ / ₈	1818-33-13	434
	1 ⁷ / ₈	1818-33-17	479
	2 ³ / ₈	1818-33-23	525
	2 ⁷ / ₈	1818-33-27	570
	3 ³ / ₈	1818-33-33	616
	3 ⁷ / ₈	1818-33-37	661
	4 ³ / ₈	1818-33-47	753
	5 ³ / ₈	1818-33-57	844
3 ⁷ / ₈	1 ³ / ₈	1818-37-13	479
	1 ⁷ / ₈	1818-37-17	525
	2 ³ / ₈	1818-37-23	570
	2 ⁷ / ₈	1818-37-27	616
	3 ³ / ₈	1818-37-33	661
	3 ⁷ / ₈	1818-37-37	707
	4 ³ / ₈	1818-37-47	798
	5 ³ / ₈	1818-37-57	889
4 ⁷ / ₈	1 ³ / ₈	1818-47-13	570
	1 ⁷ / ₈	1818-47-17	616
	2 ³ / ₈	1818-47-23	661
	2 ⁷ / ₈	1818-47-27	707
	3 ³ / ₈	1818-47-33	753
	3 ⁷ / ₈	1818-47-37	798
	4 ³ / ₈	1818-47-47	889
	5 ³ / ₈	1818-47-57	980
5 ⁷ / ₈	1 ³ / ₈	1818-57-13	661
	1 ⁷ / ₈	1818-57-17	707
	2 ³ / ₈	1818-57-23	753
	2 ⁷ / ₈	1818-57-27	798
	3 ³ / ₈	1818-57-33	844
	3 ⁷ / ₈	1818-57-37	889
	4 ³ / ₈	1818-57-47	980
	5 ³ / ₈	1818-57-57	1072

A	B	ITEM NUMBER	NET WT.
1 ³ / ₈	1 ³ / ₈	1820-13-13	279
	1 ⁷ / ₈	1820-13-17	330
	2 ³ / ₈	1820-13-23	380
	2 ⁷ / ₈	1820-13-27	431
	3 ³ / ₈	1820-13-33	482
	3 ⁷ / ₈	1820-13-37	532
	4 ³ / ₈	1820-13-47	633
	5 ³ / ₈	1820-13-57	735
1 ⁷ / ₈	1 ³ / ₈	1820-17-13	330
	1 ⁷ / ₈	1820-17-17	380
	2 ³ / ₈	1820-17-23	431
	2 ⁷ / ₈	1820-17-27	482
	3 ³ / ₈	1820-17-33	532
	3 ⁷ / ₈	1820-17-37	583
	4 ³ / ₈	1820-17-47	684
	5 ³ / ₈	1820-17-57	785
2 ³ / ₈	1 ³ / ₈	1820-23-13	380
	1 ⁷ / ₈	1820-23-17	431
	2 ³ / ₈	1820-23-23	482
	2 ⁷ / ₈	1820-23-27	532
	3 ³ / ₈	1820-23-33	583
	3 ⁷ / ₈	1820-23-37	633
	4 ³ / ₈	1820-23-47	735
	5 ³ / ₈	1820-23-57	836
2 ⁷ / ₈	1 ³ / ₈	1820-27-13	431
	1 ⁷ / ₈	1820-27-17	482
	2 ³ / ₈	1820-27-23	532
	2 ⁷ / ₈	1820-27-27	583
	3 ³ / ₈	1820-27-33	633
	3 ⁷ / ₈	1820-27-37	684
	4 ³ / ₈	1820-27-47	785
	5 ³ / ₈	1820-27-57	887

A	B	ITEM NUMBER	NET WT.
3 ³ / ₈	1 ³ / ₈	1820-33-13	482
	1 ⁷ / ₈	1820-33-17	532
	2 ³ / ₈	1820-33-23	583
	2 ⁷ / ₈	1820-33-27	633
	3 ³ / ₈	1820-33-33	684
	3 ⁷ / ₈	1820-33-37	735
	4 ³ / ₈	1820-33-47	836
	5 ³ / ₈	1820-33-57	937
3 ⁷ / ₈	1 ³ / ₈	1820-37-13	532
	1 ⁷ / ₈	1820-37-17	583
	2 ³ / ₈	1820-37-23	633
	2 ⁷ / ₈	1820-37-27	684
	3 ³ / ₈	1820-37-33	735
	3 ⁷ / ₈	1820-37-37	785
	4 ³ / ₈	1820-37-47	887
	5 ³ / ₈	1820-37-57	988
4 ⁷ / ₈	1 ³ / ₈	1820-47-13	633
	1 ⁷ / ₈	1820-47-17	684
	2 ³ / ₈	1820-47-23	735
	2 ⁷ / ₈	1820-47-27	785
	3 ³ / ₈	1820-47-33	836
	3 ⁷ / ₈	1820-47-37	887
	4 ³ / ₈	1820-47-47	988
	5 ³ / ₈	1820-47-57	1089
5 ⁷ / ₈	1 ³ / ₈	1820-57-13	735
	1 ⁷ / ₈	1820-57-17	785
	2 ³ / ₈	1820-57-23	836
	2 ⁷ / ₈	1820-57-27	887
	3 ³ / ₈	1820-57-33	937
	3 ⁷ / ₈	1820-57-37	988
	4 ³ / ₈	1820-57-47	1089
	5 ³ / ₈	1820-57-57	1191

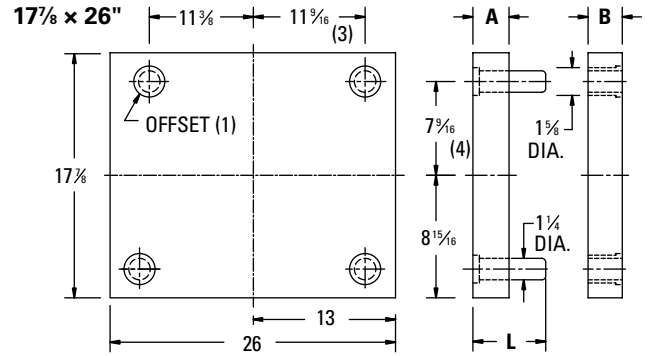
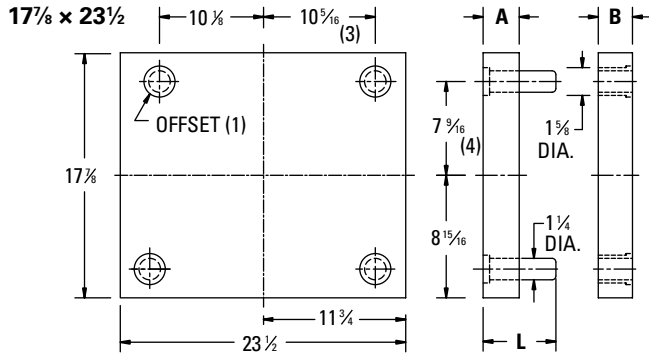
Thickness of each plate is finish ground ± .001". Width and length finished square and parallel.

WHEN ORDERING, PLEASE SPECIFY:

- Quantity & Item Number
- No. 1, No. 2, No. 3 or No. 7 Steel (No. 7 Steel available standard only for plates up to and including 2⁷/₈ thick)
- L Dimension (Guide Pin Length)
- Method of Shipment

Cavity Retainer Sets

17⁷/₈ × 23¹/₂ and 17⁷/₈ × 26"



A	B	ITEM NUMBER	NET WT.
1 ³ / ₈	1 ³ / ₈	1823-13-13	328
	1 ⁷ / ₈	1823-13-17	387
	2 ³ / ₈	1823-13-23	447
	2 ⁷ / ₈	1823-13-27	506
	3 ³ / ₈	1823-13-33	566
	3 ⁷ / ₈	1823-13-37	625
	4 ³ / ₈	1823-13-47	744
	5 ³ / ₈	1823-13-57	863
1 ⁷ / ₈	1 ³ / ₈	1823-17-13	387
	1 ⁷ / ₈	1823-17-17	447
	2 ³ / ₈	1823-17-23	506
	2 ⁷ / ₈	1823-17-27	566
	3 ³ / ₈	1823-17-33	625
	3 ⁷ / ₈	1823-17-37	685
	4 ³ / ₈	1823-17-47	804
	5 ³ / ₈	1823-17-57	923
2 ³ / ₈	1 ³ / ₈	1823-23-13	447
	1 ⁷ / ₈	1823-23-17	506
	2 ³ / ₈	1823-23-23	566
	2 ⁷ / ₈	1823-23-27	625
	3 ³ / ₈	1823-23-33	685
	3 ⁷ / ₈	1823-23-37	744
	4 ³ / ₈	1823-23-47	863
	5 ³ / ₈	1823-23-57	982
2 ⁷ / ₈	1 ³ / ₈	1823-27-13	506
	1 ⁷ / ₈	1823-27-17	566
	2 ³ / ₈	1823-27-23	625
	2 ⁷ / ₈	1823-27-27	685
	3 ³ / ₈	1823-27-33	744
	3 ⁷ / ₈	1823-27-37	804
	4 ³ / ₈	1823-27-47	923
	5 ³ / ₈	1823-27-57	1042

A	B	ITEM NUMBER	NET WT.
3 ³ / ₈	1 ³ / ₈	1823-33-13	566
	1 ⁷ / ₈	1823-33-17	625
	2 ³ / ₈	1823-33-23	685
	2 ⁷ / ₈	1823-33-27	744
	3 ³ / ₈	1823-33-33	804
	3 ⁷ / ₈	1823-33-37	863
	4 ³ / ₈	1823-33-47	982
	5 ³ / ₈	1823-33-57	1101
3 ⁷ / ₈	1 ³ / ₈	1823-37-13	625
	1 ⁷ / ₈	1823-37-17	685
	2 ³ / ₈	1823-37-23	744
	2 ⁷ / ₈	1823-37-27	804
	3 ³ / ₈	1823-37-33	863
	3 ⁷ / ₈	1823-37-37	923
	4 ³ / ₈	1823-37-47	1042
	5 ³ / ₈	1823-37-57	1161
4 ⁷ / ₈	1 ³ / ₈	1823-47-13	744
	1 ⁷ / ₈	1823-47-17	804
	2 ³ / ₈	1823-47-23	863
	2 ⁷ / ₈	1823-47-27	923
	3 ³ / ₈	1823-47-33	982
	3 ⁷ / ₈	1823-47-37	1042
	4 ³ / ₈	1823-47-47	1161
	5 ³ / ₈	1823-47-57	1280
5 ⁷ / ₈	1 ³ / ₈	1823-57-13	863
	1 ⁷ / ₈	1823-57-17	923
	2 ³ / ₈	1823-57-23	982
	2 ⁷ / ₈	1823-57-27	1042
	3 ³ / ₈	1823-57-33	1101
	3 ⁷ / ₈	1823-57-37	1161
	4 ³ / ₈	1823-57-47	1280
	5 ³ / ₈	1823-57-57	1399

A	B	ITEM NUMBER	NET WT.
1 ³ / ₈	1 ³ / ₈	1826-13-13	363
	1 ⁷ / ₈	1826-13-17	428
	2 ³ / ₈	1826-13-23	494
	2 ⁷ / ₈	1826-13-27	560
	3 ³ / ₈	1826-13-33	626
	3 ⁷ / ₈	1826-13-37	692
	4 ³ / ₈	1826-13-47	823
	5 ³ / ₈	1826-13-57	955
1 ⁷ / ₈	1 ³ / ₈	1826-17-13	428
	1 ⁷ / ₈	1826-17-17	494
	2 ³ / ₈	1826-17-23	560
	2 ⁷ / ₈	1826-17-27	626
	3 ³ / ₈	1826-17-33	692
	3 ⁷ / ₈	1826-17-37	758
	4 ³ / ₈	1826-17-47	889
	5 ³ / ₈	1826-17-57	1021
2 ³ / ₈	1 ³ / ₈	1826-23-13	494
	1 ⁷ / ₈	1826-23-17	560
	2 ³ / ₈	1826-23-23	626
	2 ⁷ / ₈	1826-23-27	692
	3 ³ / ₈	1826-23-33	758
	3 ⁷ / ₈	1826-23-37	823
	4 ³ / ₈	1826-23-47	955
	5 ³ / ₈	1826-23-57	1087
2 ⁷ / ₈	1 ³ / ₈	1826-27-13	560
	1 ⁷ / ₈	1826-27-17	626
	2 ³ / ₈	1826-27-23	692
	2 ⁷ / ₈	1826-27-27	758
	3 ³ / ₈	1826-27-33	823
	3 ⁷ / ₈	1826-27-37	889
	4 ³ / ₈	1826-27-47	1021
	5 ³ / ₈	1826-27-57	1153

A	B	ITEM NUMBER	NET WT.
3 ³ / ₈	1 ³ / ₈	1826-33-13	626
	1 ⁷ / ₈	1826-33-17	692
	2 ³ / ₈	1826-33-23	758
	2 ⁷ / ₈	1826-33-27	823
	3 ³ / ₈	1826-33-33	889
	3 ⁷ / ₈	1826-33-37	955
	4 ³ / ₈	1826-33-47	1087
	5 ³ / ₈	1826-33-57	1218
3 ⁷ / ₈	1 ³ / ₈	1826-37-13	692
	1 ⁷ / ₈	1826-37-17	758
	2 ³ / ₈	1826-37-23	823
	2 ⁷ / ₈	1826-37-27	889
	3 ³ / ₈	1826-37-33	955
	3 ⁷ / ₈	1826-37-37	1021
	4 ³ / ₈	1826-37-47	1153
	5 ³ / ₈	1826-37-57	1284
4 ⁷ / ₈	1 ³ / ₈	1826-47-13	823
	1 ⁷ / ₈	1826-47-17	889
	2 ³ / ₈	1826-47-23	955
	2 ⁷ / ₈	1826-47-27	1021
	3 ³ / ₈	1826-47-33	1087
	3 ⁷ / ₈	1826-47-37	1153
	4 ³ / ₈	1826-47-47	1284
	5 ³ / ₈	1826-47-57	1416
5 ⁷ / ₈	1 ³ / ₈	1826-57-13	955
	1 ⁷ / ₈	1826-57-17	1021
	2 ³ / ₈	1826-57-23	1087
	2 ⁷ / ₈	1826-57-27	1153
	3 ³ / ₈	1826-57-33	1218
	3 ⁷ / ₈	1826-57-37	1284
	4 ³ / ₈	1826-57-47	1416
	5 ³ / ₈	1826-57-57	1548

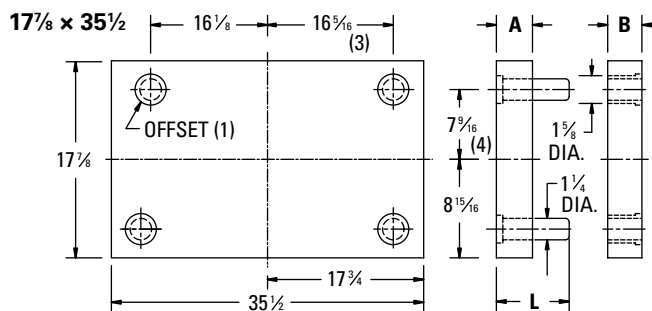
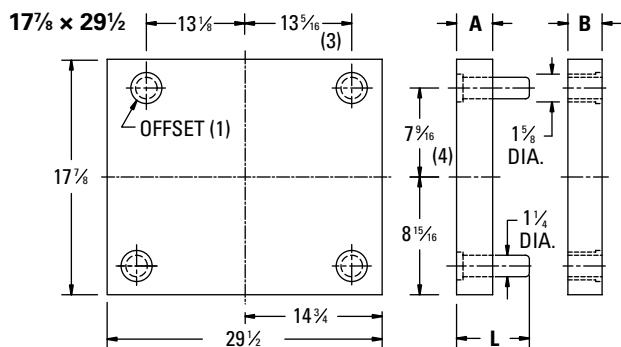
Thickness of each plate is finish ground ± .001". Width and length finished square and parallel.

WHEN ORDERING, PLEASE SPECIFY:

- Quantity & Item Number
- No. 1, No. 2, No. 3 or No. 7 Steel (No. 7 Steel available standard only for plates up to and including 2% thick)
- L Dimension (Guide Pin Length)
- Method of Shipment

Cavity Retainer Sets

17⁷/₈ × 29¹/₂ and 17⁷/₈ × 35¹/₂



A	B	ITEM NUMBER	NET WT.
1 ³ / ₈	1 ³ / ₈	1829-13-13	411
	1 ⁷ / ₈	1829-13-17	486
	2 ³ / ₈	1829-13-23	561
	2 ⁷ / ₈	1829-13-27	635
	3 ³ / ₈	1829-13-33	710
	3 ⁷ / ₈	1829-13-37	785
	4 ³ / ₈	1829-13-47	934
	5 ³ / ₈	1829-13-57	1084
	1 ³ / ₈	1829-17-13	486
1 ⁷ / ₈	1829-17-17	561	
2 ³ / ₈	1829-17-23	635	
2 ⁷ / ₈	1829-17-27	710	
3 ³ / ₈	1829-17-33	785	
3 ⁷ / ₈	1829-17-37	859	
4 ³ / ₈	1829-17-47	1009	
5 ³ / ₈	1829-17-57	1158	
2 ³ / ₈	1 ³ / ₈	1829-23-13	561
	1 ⁷ / ₈	1829-23-17	635
	2 ³ / ₈	1829-23-23	710
	2 ⁷ / ₈	1829-23-27	785
	3 ³ / ₈	1829-23-33	859
	3 ⁷ / ₈	1829-23-37	934
	4 ³ / ₈	1829-23-47	1084
	5 ³ / ₈	1829-23-57	1233
	1 ³ / ₈	1829-27-13	635
1 ⁷ / ₈	1829-27-17	710	
2 ³ / ₈	1829-27-23	785	
2 ⁷ / ₈	1829-27-27	859	
3 ³ / ₈	1829-27-33	934	
3 ⁷ / ₈	1829-27-37	1009	
4 ³ / ₈	1829-27-47	1158	
5 ³ / ₈	1829-27-57	1308	

A	B	ITEM NUMBER	NET WT.
3 ³ / ₈	1 ³ / ₈	1829-33-13	710
	1 ⁷ / ₈	1829-33-17	785
	2 ³ / ₈	1829-33-23	859
	2 ⁷ / ₈	1829-33-27	934
	3 ³ / ₈	1829-33-33	1009
	3 ⁷ / ₈	1829-33-37	1084
	4 ³ / ₈	1829-33-47	1233
	5 ³ / ₈	1829-33-57	1382
	1 ³ / ₈	1829-37-13	785
1 ⁷ / ₈	1829-37-17	859	
2 ³ / ₈	1829-37-23	934	
2 ⁷ / ₈	1829-37-27	1009	
3 ³ / ₈	1829-37-33	1084	
3 ⁷ / ₈	1829-37-37	1158	
4 ³ / ₈	1829-37-47	1308	
5 ³ / ₈	1829-37-57	1457	
4 ⁷ / ₈	1 ³ / ₈	1829-47-13	934
	1 ⁷ / ₈	1829-47-17	1009
	2 ³ / ₈	1829-47-23	1084
	2 ⁷ / ₈	1829-47-27	1158
	3 ³ / ₈	1829-47-33	1233
	3 ⁷ / ₈	1829-47-37	1308
	4 ³ / ₈	1829-47-47	1457
	5 ³ / ₈	1829-47-57	1606
	1 ³ / ₈	1829-57-13	1084
1 ⁷ / ₈	1829-57-17	1158	
2 ³ / ₈	1829-57-23	1233	
2 ⁷ / ₈	1829-57-27	1308	
3 ³ / ₈	1829-57-33	1382	
3 ⁷ / ₈	1829-57-37	1457	
4 ³ / ₈	1829-57-47	1606	
5 ³ / ₈	1829-57-57	1756	

A	B	ITEM NUMBER	NET WT.
1 ³ / ₈	1 ³ / ₈	1835-13-13	495
	1 ⁷ / ₈	1835-13-17	585
	2 ³ / ₈	1835-13-23	675
	2 ⁷ / ₈	1835-13-27	765
	3 ³ / ₈	1835-13-33	854
	3 ⁷ / ₈	1835-13-37	944
	4 ³ / ₈	1835-13-47	1124
	5 ³ / ₈	1835-13-57	1304
	1 ³ / ₈	1835-17-13	585
1 ⁷ / ₈	1835-17-17	675	
2 ³ / ₈	1835-17-23	765	
2 ⁷ / ₈	1835-17-27	854	
3 ³ / ₈	1835-17-33	944	
3 ⁷ / ₈	1835-17-37	1034	
4 ³ / ₈	1835-17-47	1214	
5 ³ / ₈	1835-17-57	1394	
2 ³ / ₈	1 ³ / ₈	1835-23-13	675
	1 ⁷ / ₈	1835-23-17	765
	2 ³ / ₈	1835-23-23	854
	2 ⁷ / ₈	1835-23-27	944
	3 ³ / ₈	1835-23-33	1034
	3 ⁷ / ₈	1835-23-37	1124
	4 ³ / ₈	1835-23-47	1304
	5 ³ / ₈	1835-23-57	1484
	1 ³ / ₈	1835-27-13	765
1 ⁷ / ₈	1835-27-17	854	
2 ³ / ₈	1835-27-23	944	
2 ⁷ / ₈	1835-27-27	1034	
3 ³ / ₈	1835-27-33	1124	
3 ⁷ / ₈	1835-27-37	1214	
4 ³ / ₈	1835-27-47	1394	
5 ³ / ₈	1835-27-57	1574	

A	B	ITEM NUMBER	NET WT.
3 ³ / ₈	1 ³ / ₈	1835-33-13	854
	1 ⁷ / ₈	1835-33-17	944
	2 ³ / ₈	1835-33-23	1034
	2 ⁷ / ₈	1835-33-27	1124
	3 ³ / ₈	1835-33-33	1214
	3 ⁷ / ₈	1835-33-37	1304
	4 ³ / ₈	1835-33-47	1484
	5 ³ / ₈	1835-33-57	1663
	1 ³ / ₈	1835-37-13	944
1 ⁷ / ₈	1835-37-17	1034	
2 ³ / ₈	1835-37-23	1124	
2 ⁷ / ₈	1835-37-27	1214	
3 ³ / ₈	1835-37-33	1304	
3 ⁷ / ₈	1835-37-37	1394	
4 ³ / ₈	1835-37-47	1574	
5 ³ / ₈	1835-37-57	1753	
4 ⁷ / ₈	1 ³ / ₈	1835-47-13	1124
	1 ⁷ / ₈	1835-47-17	1214
	2 ³ / ₈	1835-47-23	1304
	2 ⁷ / ₈	1835-47-27	1394
	3 ³ / ₈	1835-47-33	1484
	3 ⁷ / ₈	1835-47-37	1574
	4 ³ / ₈	1835-47-47	1753
	5 ³ / ₈	1835-47-57	1933
	1 ³ / ₈	1835-57-13	1304
1 ⁷ / ₈	1835-57-17	1394	
2 ³ / ₈	1835-57-23	1484	
2 ⁷ / ₈	1835-57-27	1574	
3 ³ / ₈	1835-57-33	1663	
3 ⁷ / ₈	1835-57-37	1753	
4 ³ / ₈	1835-57-47	1933	
5 ³ / ₈	1835-57-57	2113	

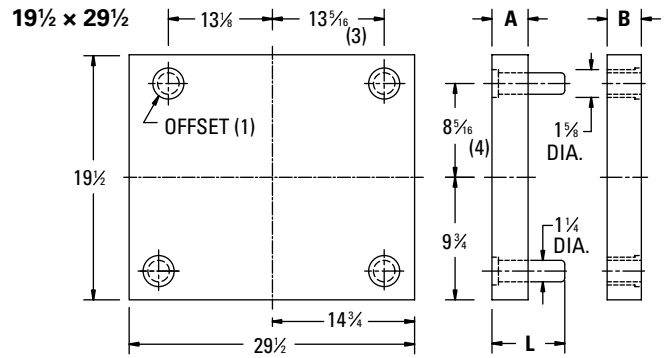
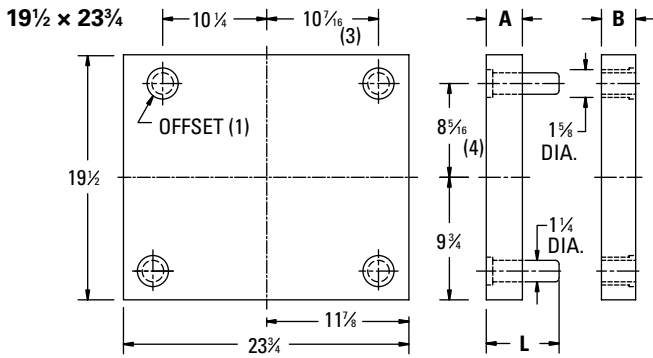
Thickness of each plate is finish ground ± .001". Width and length finished square and parallel.

WHEN ORDERING, PLEASE SPECIFY:

- Quantity & Item Number
- No. 1, No. 2, No. 3 or No. 7 Steel (No. 7 Steel available standard only for plates up to and including 2⁷/₈ thick)
- L Dimension (Guide Pin Length)
- Method of Shipment

Cavity Retainer Sets

19½ × 23¾ and 19½ × 29½



A	B	ITEM NUMBER	NET WT.
1⅜	1⅞	1924-13-13	361
	1⅞	1924-13-17	427
	2⅞	1924-13-23	493
	2⅞	1924-13-27	558
	3⅞	1924-13-33	624
	3⅞	1924-13-37	689
	4⅞	1924-13-47	821
	5⅞	1924-13-57	952
1⅞	1⅞	1924-17-13	427
	1⅞	1924-17-17	493
	2⅞	1924-17-23	558
	2⅞	1924-17-27	624
	3⅞	1924-17-33	689
	3⅞	1924-17-37	755
	4⅞	1924-17-47	886
	5⅞	1924-17-57	1017
2⅜	1⅞	1924-23-13	493
	1⅞	1924-23-17	558
	2⅞	1924-23-23	624
	2⅞	1924-23-27	689
	3⅞	1924-23-33	755
	3⅞	1924-23-37	821
	4⅞	1924-23-47	952
	5⅞	1924-23-57	1083
2⅞	1⅞	1924-27-13	558
	1⅞	1924-27-17	624
	2⅞	1924-27-23	689
	2⅞	1924-27-27	755
	3⅞	1924-27-33	821
	3⅞	1924-27-37	886
	4⅞	1924-27-47	1017
	5⅞	1924-27-57	1149

A	B	ITEM NUMBER	NET WT.
3⅜	1⅞	1924-33-13	624
	1⅞	1924-33-17	689
	2⅞	1924-33-23	755
	2⅞	1924-33-27	821
	3⅞	1924-33-33	886
	3⅞	1924-33-37	952
	4⅞	1924-33-47	1083
	5⅞	1924-33-57	1214
3⅞	1⅞	1924-37-13	689
	1⅞	1924-37-17	755
	2⅞	1924-37-23	821
	2⅞	1924-37-27	886
	3⅞	1924-37-33	952
	3⅞	1924-37-37	1017
	4⅞	1924-37-47	1149
	5⅞	1924-37-57	1280
4⅞	1⅞	1924-47-13	821
	1⅞	1924-47-17	886
	2⅞	1924-47-23	952
	2⅞	1924-47-27	1017
	3⅞	1924-47-33	1083
	3⅞	1924-47-37	1149
	4⅞	1924-47-47	1280
	5⅞	1924-47-57	1411
5⅞	1⅞	1924-57-13	952
	1⅞	1924-57-17	1017
	2⅞	1924-57-23	1083
	2⅞	1924-57-27	1149
	3⅞	1924-57-33	1214
	3⅞	1924-57-37	1280
	4⅞	1924-57-47	1411
	5⅞	1924-57-57	1542

A	B	ITEM NUMBER	NET WT.
1⅜	1⅞	1929-13-13	449
	1⅞	1929-13-17	530
	2⅞	1929-13-23	612
	2⅞	1929-13-27	693
	3⅞	1929-13-33	775
	3⅞	1929-13-37	856
	4⅞	1929-13-47	1019
	5⅞	1929-13-57	1182
1⅞	1⅞	1929-17-13	530
	1⅞	1929-17-17	612
	2⅞	1929-17-23	693
	2⅞	1929-17-27	775
	3⅞	1929-17-33	856
	3⅞	1929-17-37	938
	4⅞	1929-17-47	1100
	5⅞	1929-17-57	1263
2⅜	1⅞	1929-23-13	612
	1⅞	1929-23-17	693
	2⅞	1929-23-23	775
	2⅞	1929-23-27	856
	3⅞	1929-23-33	938
	3⅞	1929-23-37	1019
	4⅞	1929-23-47	1182
	5⅞	1929-23-57	1345
2⅞	1⅞	1929-27-13	693
	1⅞	1929-27-17	775
	2⅞	1929-27-23	856
	2⅞	1929-27-27	938
	3⅞	1929-27-33	1019
	3⅞	1929-27-37	1100
	4⅞	1929-27-47	1263
	5⅞	1929-27-57	1426

A	B	ITEM NUMBER	NET WT.
3⅜	1⅞	1929-33-13	775
	1⅞	1929-33-17	856
	2⅞	1929-33-23	938
	2⅞	1929-33-27	1019
	3⅞	1929-33-33	1100
	3⅞	1929-33-37	1182
	4⅞	1929-33-47	1345
	5⅞	1929-33-57	1508
3⅞	1⅞	1929-37-13	856
	1⅞	1929-37-17	938
	2⅞	1929-37-23	1019
	2⅞	1929-37-27	1100
	3⅞	1929-37-33	1182
	3⅞	1929-37-37	1263
	4⅞	1929-37-47	1426
	5⅞	1929-37-57	1589
4⅞	1⅞	1929-47-13	1019
	1⅞	1929-47-17	1100
	2⅞	1929-47-23	1182
	2⅞	1929-47-27	1263
	3⅞	1929-47-33	1345
	3⅞	1929-47-37	1426
	4⅞	1929-47-47	1589
	5⅞	1929-47-57	1752
5⅞	1⅞	1929-57-13	1182
	1⅞	1929-57-17	1263
	2⅞	1929-57-23	1345
	2⅞	1929-57-27	1426
	3⅞	1929-57-33	1508
	3⅞	1929-57-37	1589
	4⅞	1929-57-47	1752
	5⅞	1929-57-57	1915

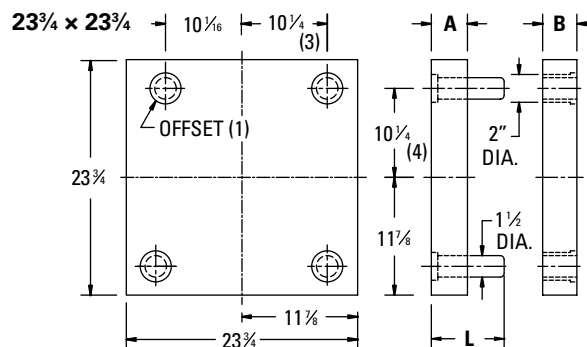
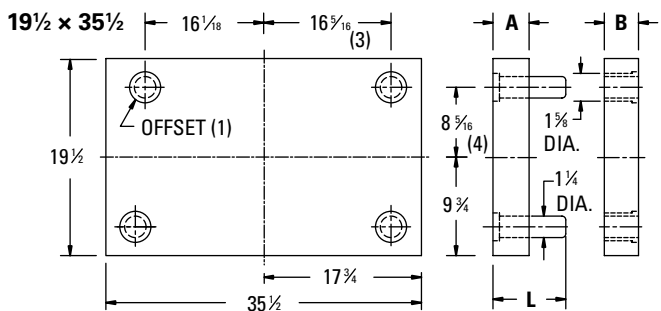
Thickness of each plate is finish ground ± .001". Width and length finished square and parallel.

WHEN ORDERING, PLEASE SPECIFY:

- Quantity & Item Number
- No. 1, No. 2, No. 3 or No. 7 Steel
(No. 7 Steel available standard only for plates up to and including 2⅞ thick)
- L Dimension (Guide Pin Length)
- Method of Shipment

Cavity Retainer Sets

19½ × 35½ and 23¾ × 23¾



A	B	ITEM NUMBER	NET WT.
1⅜	1⅜	1935-13-13	540
	1⅞	1935-13-17	638
	2⅜	1935-13-23	736
	2⅞	1935-13-27	834
	3⅜	1935-13-33	932
	3⅞	1935-13-37	1030
	4⅞	1935-13-47	1226
	5⅞	1935-13-57	1422
1⅞	1⅜	1935-17-13	638
	1⅞	1935-17-17	736
	2⅜	1935-17-23	834
	2⅞	1935-17-27	932
	3⅜	1935-17-33	1030
	3⅞	1935-17-37	1128
	4⅞	1935-17-47	1324
	5⅞	1935-17-57	1520
2⅜	1⅜	1935-23-13	736
	1⅞	1935-23-17	834
	2⅜	1935-23-23	932
	2⅞	1935-23-27	1030
	3⅜	1935-23-33	1128
	3⅞	1935-23-37	1226
	4⅞	1935-23-47	1422
	5⅞	1935-23-57	1618
2⅞	1⅜	1935-27-13	834
	1⅞	1935-27-17	932
	2⅜	1935-27-23	1030
	2⅞	1935-27-27	1128
	3⅜	1935-27-33	1226
	3⅞	1935-27-37	1324
	4⅞	1935-27-47	1520
	5⅞	1935-27-57	1717

A	B	ITEM NUMBER	NET WT.
3⅜	1⅜	1935-33-13	932
	1⅞	1935-33-17	1030
	2⅜	1935-33-23	1128
	2⅞	1935-33-27	1226
	3⅜	1935-33-33	1324
	3⅞	1935-33-37	1422
	4⅞	1935-33-47	1618
	5⅞	1935-33-57	1815
3⅞	1⅜	1935-37-13	1030
	1⅞	1935-37-17	1128
	2⅜	1935-37-23	1226
	2⅞	1935-37-27	1324
	3⅜	1935-37-33	1422
	3⅞	1935-37-37	1520
	4⅞	1935-37-47	1717
	5⅞	1935-37-57	1913
4⅞	1⅜	1935-47-13	1226
	1⅞	1935-47-17	1324
	2⅜	1935-47-23	1422
	2⅞	1935-47-27	1520
	3⅜	1935-47-33	1618
	3⅞	1935-47-37	1717
	4⅞	1935-47-47	1913
	5⅞	1935-47-57	2109
5⅞	1⅜	1935-57-13	1422
	1⅞	1935-57-17	1520
	2⅜	1935-57-23	1618
	2⅞	1935-57-27	1717
	3⅜	1935-57-33	1815
	3⅞	1935-57-37	1913
	4⅞	1935-57-47	2109
	5⅞	1935-57-57	2305

A	B	ITEM NUMBER	NET WT.
1⅜	1⅜	2424-13-13	440
	1⅞	2424-13-17	520
	2⅜	2424-13-23	600
	2⅞	2424-13-27	680
	3⅜	2424-13-33	760
	3⅞	2424-13-37	839
	4⅞	2424-13-47	999
	5⅞	2424-13-57	1159
1⅞	1⅜	2424-17-13	520
	1⅞	2424-17-17	600
	2⅜	2424-17-23	680
	2⅞	2424-17-27	760
	3⅜	2424-17-33	839
	3⅞	2424-17-37	919
	4⅞	2424-17-47	1079
	5⅞	2424-17-57	1239
2⅜	1⅜	2424-23-13	600
	1⅞	2424-23-17	680
	2⅜	2424-23-23	760
	2⅞	2424-23-27	839
	3⅜	2424-23-33	919
	3⅞	2424-23-37	999
	4⅞	2424-23-47	1159
	5⅞	2424-23-57	1319
2⅞	1⅜	2424-27-13	680
	1⅞	2424-27-17	760
	2⅜	2424-27-23	839
	2⅞	2424-27-27	919
	3⅜	2424-27-33	999
	3⅞	2424-27-37	1079
	4⅞	2424-27-47	1239
	5⅞	2424-27-57	1399

A	B	ITEM NUMBER	NET WT.
3⅜	1⅜	2424-33-13	760
	1⅞	2424-33-17	839
	2⅜	2424-33-23	919
	2⅞	2424-33-27	999
	3⅜	2424-33-33	1079
	3⅞	2424-33-37	1159
	4⅞	2424-33-47	1319
	5⅞	2424-33-57	1479
3⅞	1⅜	2424-37-13	839
	1⅞	2424-37-17	919
	2⅜	2424-37-23	999
	2⅞	2424-37-27	1079
	3⅜	2424-37-33	1159
	3⅞	2424-37-37	1239
	4⅞	2424-37-47	1399
	5⅞	2424-37-57	1559
4⅞	1⅜	2424-47-13	999
	1⅞	2424-47-17	1079
	2⅜	2424-47-23	1159
	2⅞	2424-47-27	1239
	3⅜	2424-47-33	1319
	3⅞	2424-47-37	1399
	4⅞	2424-47-47	1559
	5⅞	2424-47-57	1718
5⅞	1⅜	2424-57-13	1159
	1⅞	2424-57-17	1239
	2⅜	2424-57-23	1319
	2⅞	2424-57-27	1399
	3⅜	2424-57-33	1479
	3⅞	2424-57-37	1559
	4⅞	2424-57-47	1718
	5⅞	2424-57-57	1878

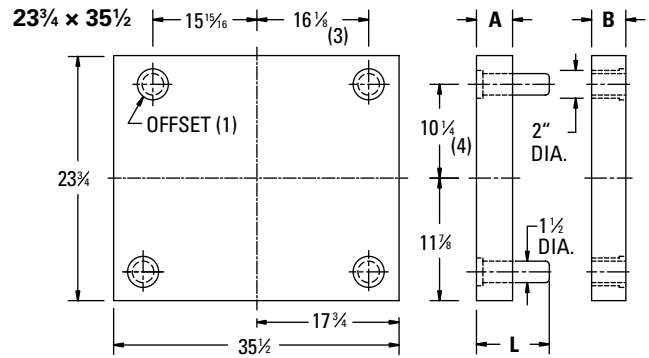
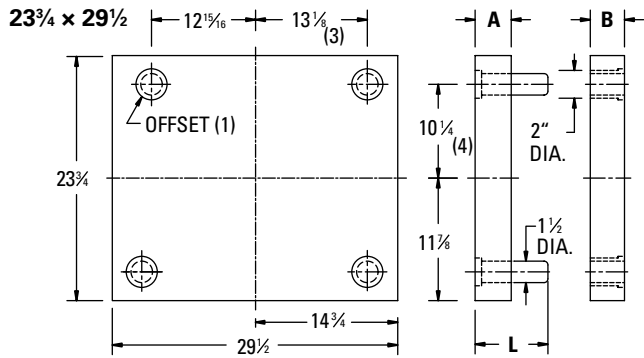
Thickness of each plate is finish ground ± .001". Width and length finished square and parallel.

WHEN ORDERING, PLEASE SPECIFY:

- Quantity & Item Number
- No. 1, No. 2, No. 3 or No. 7 Steel (No. 7 Steel available standard only for plates up to and including 2⅞ thick)
- L Dimension (Guide Pin Length)
- Method of Shipment

Cavity Retainer Sets

23³/₄ × 29¹/₂ and 23³/₄ × 35¹/₂



A	B	ITEM NUMBER	NET WT.
1 ³ / ₈	1 ³ / ₈	2429-13-13	546
	1 ⁷ / ₈	2429-13-17	646
	2 ³ / ₈	2429-13-23	745
	2 ⁷ / ₈	2429-13-27	844
	3 ³ / ₈	2429-13-33	943
	3 ⁷ / ₈	2429-13-37	1043
	4 ³ / ₈	2429-13-47	1241
	5 ³ / ₈	2429-13-57	1439
1 ⁷ / ₈	1 ³ / ₈	2429-17-13	646
	1 ⁷ / ₈	2429-17-17	745
	2 ³ / ₈	2429-17-23	844
	2 ⁷ / ₈	2429-17-27	943
	3 ³ / ₈	2429-17-33	1043
	3 ⁷ / ₈	2429-17-37	1142
	4 ³ / ₈	2429-17-47	1340
	5 ³ / ₈	2429-17-57	1539
2 ³ / ₈	1 ³ / ₈	2429-23-13	745
	1 ⁷ / ₈	2429-23-17	844
	2 ³ / ₈	2429-23-23	943
	2 ⁷ / ₈	2429-23-27	1043
	3 ³ / ₈	2429-23-33	1142
	3 ⁷ / ₈	2429-23-37	1241
	4 ³ / ₈	2429-23-47	1439
	5 ³ / ₈	2429-23-57	1638
2 ⁷ / ₈	1 ³ / ₈	2429-27-13	844
	1 ⁷ / ₈	2429-27-17	943
	2 ³ / ₈	2429-27-23	1043
	2 ⁷ / ₈	2429-27-27	1142
	3 ³ / ₈	2429-27-33	1241
	3 ⁷ / ₈	2429-27-37	1340
	4 ³ / ₈	2429-27-47	1539
	5 ³ / ₈	2429-27-57	1737

A	B	ITEM NUMBER	NET WT.
3 ³ / ₈	1 ³ / ₈	2429-33-13	943
	1 ⁷ / ₈	2429-33-17	1043
	2 ³ / ₈	2429-33-23	1142
	2 ⁷ / ₈	2429-33-27	1241
	3 ³ / ₈	2429-33-33	1340
	3 ⁷ / ₈	2429-33-37	1439
	4 ³ / ₈	2429-33-47	1638
	5 ³ / ₈	2429-33-57	1836
3 ⁷ / ₈	1 ³ / ₈	2429-37-13	1043
	1 ⁷ / ₈	2429-37-17	1142
	2 ³ / ₈	2429-37-23	1241
	2 ⁷ / ₈	2429-37-27	1340
	3 ³ / ₈	2429-37-33	1439
	3 ⁷ / ₈	2429-37-37	1539
	4 ³ / ₈	2429-37-47	1737
	5 ³ / ₈	2429-37-57	1936
4 ⁷ / ₈	1 ³ / ₈	2429-47-13	1241
	1 ⁷ / ₈	2429-47-17	1340
	2 ³ / ₈	2429-47-23	1439
	2 ⁷ / ₈	2429-47-27	1539
	3 ³ / ₈	2429-47-33	1638
	3 ⁷ / ₈	2429-47-37	1737
	4 ³ / ₈	2429-47-47	1936
	5 ³ / ₈	2429-47-57	2134
5 ⁷ / ₈	1 ³ / ₈	2429-57-13	1439
	1 ⁷ / ₈	2429-57-17	1539
	2 ³ / ₈	2429-57-23	1638
	2 ⁷ / ₈	2429-57-27	1737
	3 ³ / ₈	2429-57-33	1836
	3 ⁷ / ₈	2429-57-37	1936
	4 ³ / ₈	2429-57-47	2134
	5 ³ / ₈	2429-57-57	2333

A	B	ITEM NUMBER	NET WT.
1 ³ / ₈	1 ³ / ₈	2435-13-13	657
	1 ⁷ / ₈	2435-13-17	777
	2 ³ / ₈	2435-13-23	896
	2 ⁷ / ₈	2435-13-27	1016
	3 ³ / ₈	2435-13-33	1135
	3 ⁷ / ₈	2435-13-37	1255
	4 ³ / ₈	2435-13-47	1493
	5 ³ / ₈	2435-13-57	1732
1 ⁷ / ₈	1 ³ / ₈	2435-17-13	777
	1 ⁷ / ₈	2435-17-17	896
	2 ³ / ₈	2435-17-23	1016
	2 ⁷ / ₈	2435-17-27	1135
	3 ³ / ₈	2435-17-33	1255
	3 ⁷ / ₈	2435-17-37	1374
	4 ³ / ₈	2435-17-47	1613
	5 ³ / ₈	2435-17-57	1852
2 ³ / ₈	1 ³ / ₈	2435-23-13	896
	1 ⁷ / ₈	2435-23-17	1016
	2 ³ / ₈	2435-23-23	1135
	2 ⁷ / ₈	2435-23-27	1255
	3 ³ / ₈	2435-23-33	1374
	3 ⁷ / ₈	2435-23-37	1493
	4 ³ / ₈	2435-23-47	1732
	5 ³ / ₈	2435-23-57	1971
2 ⁷ / ₈	1 ³ / ₈	2435-27-13	1016
	1 ⁷ / ₈	2435-27-17	1135
	2 ³ / ₈	2435-27-23	1255
	2 ⁷ / ₈	2435-27-27	1374
	3 ³ / ₈	2435-27-33	1493
	3 ⁷ / ₈	2435-27-37	1613
	4 ³ / ₈	2435-27-47	1852
	5 ³ / ₈	2435-27-57	2091

A	B	ITEM NUMBER	NET WT.
3 ³ / ₈	1 ³ / ₈	2435-33-13	1135
	1 ⁷ / ₈	2435-33-17	1255
	2 ³ / ₈	2435-33-23	1374
	2 ⁷ / ₈	2435-33-27	1493
	3 ³ / ₈	2435-33-33	1613
	3 ⁷ / ₈	2435-33-37	1732
	4 ³ / ₈	2435-33-47	1971
	5 ³ / ₈	2435-33-57	2210
3 ⁷ / ₈	1 ³ / ₈	2435-37-13	1255
	1 ⁷ / ₈	2435-37-17	1374
	2 ³ / ₈	2435-37-23	1493
	2 ⁷ / ₈	2435-37-27	1613
	3 ³ / ₈	2435-37-33	1732
	3 ⁷ / ₈	2435-37-37	1852
	4 ³ / ₈	2435-37-47	2091
	5 ³ / ₈	2435-37-57	2329
4 ⁷ / ₈	1 ³ / ₈	2435-47-13	1493
	1 ⁷ / ₈	2435-47-17	1613
	2 ³ / ₈	2435-47-23	1732
	2 ⁷ / ₈	2435-47-27	1852
	3 ³ / ₈	2435-47-33	1971
	3 ⁷ / ₈	2435-47-37	2091
	4 ³ / ₈	2435-47-47	2329
	5 ³ / ₈	2435-47-57	2568
5 ⁷ / ₈	1 ³ / ₈	2435-57-13	1732
	1 ⁷ / ₈	2435-57-17	1852
	2 ³ / ₈	2435-57-23	1971
	2 ⁷ / ₈	2435-57-27	2091
	3 ³ / ₈	2435-57-33	2210
	3 ⁷ / ₈	2435-57-37	2329
	4 ³ / ₈	2435-57-47	2568
	5 ³ / ₈	2435-57-57	2807

Thickness of each plate is finish ground ± .001". Width and length finished square and parallel.

WHEN ORDERING, PLEASE SPECIFY:

- Quantity & Item Number
- No. 1, No. 2, No. 3 or No. 7 Steel (No. 7 Steel available standard only for plates up to and including 2⁷/₈ thick)
- L Dimension (Guide Pin Length)
- Method of Shipment

Mold and Die Steels

STEEL DESCRIPTIONS

Three Steels for Structural Sections

D-M-E NO. 1 STEEL

No. 1 Steel is a medium carbon (SAE 1030) or equivalent, silicon-killed forging quality steel with approximately 25% greater tensile strength than typical low-carbon warehouse steels. It machines easily, but is not “sticky,” permitting a faster and smoother cut.



D-M-E NO. 2 STEEL

No. 2 Steel is an AISI 4130 or equivalent type steel. It is supplied pre-heat treated to 28-34 HRC (271-321 Bhn). A high strength steel, it is ideal for cavity and core retainer plates, clamping plates and support plates in molds and dies.

D-M-E NO. 7 STEEL

No. 7 Steel is a modified AISI 400 or equivalent series stainless steel for holder block applications. It is supplied pre-heat treated to 32-36 HRC (302-340 Bhn). This stainless steel offers corrosion-resistance and exceptional machinability but cannot be further hardened (see D-M-E No. 6). For humid environments, corrosive plastics, “clean room” or “100% stainless” applications, it is an ideal choice for all structural (non-cavity/core) mold plates.

Three Steels for Cavities and Cores

D-M-E NO. 3 STEEL

No. 3 Steel is a P-20 AISI 4130 (modified) type cavity steel. Exceptionally clean, it is pre-heat treated to 28-34 HRC (271-321 Bhn). It provides high hardness, good machinability and exceptional polishability for both plastics molds and die cast dies.

D-M-E NO. 5 STEEL

No. 5 Steel is a thermal shock resistant, hotwork die steel (AISI-SAE H-13 type) or equivalent. Supplied fully annealed 13-20 HRC (approx. 200 Bhn) for easy machinability, it can be subsequently heat treated to the desired hardness with a minimum of deformation.

Mainly used for die cast dies, it is also suitable for plastics molds with exceptional hardness or polishability requirements.

D-M-E NO. 5 Steel meets or exceeds the acceptance criteria established by the NADCA as detailed in Technical Digest Number 01-80-01D

D-M-E NO. 6 STEEL

No. 6 Steel is T-420 type or equivalent stainless steel. It is supplied fully annealed to 8-23 HRC (179-241 Bhn), making it readily machinable. It can be used for injection, compression or transfer molds where the properties of the plastics materials or excessive condensation require a highly corrosion resistant cavity steel.

OTHER TYPES OF STEEL AVAILABLE ON SPECIAL ORDER. CONTACT D-M-E.